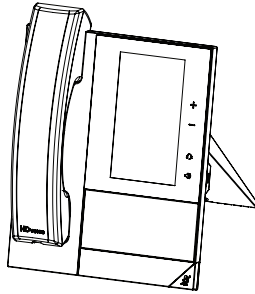
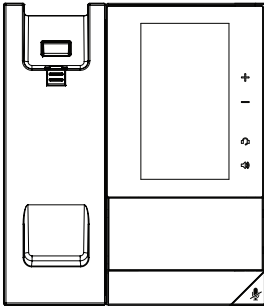


Poly CCX 400 Business Media Phone

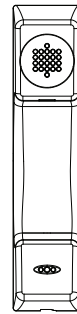


Package Contents

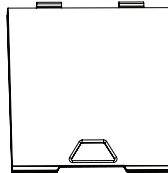
CCX 400



Handset



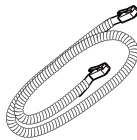
Stand



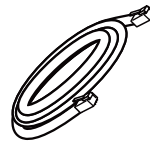
Setup Sheet



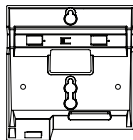
Handset Cord



Network Cable

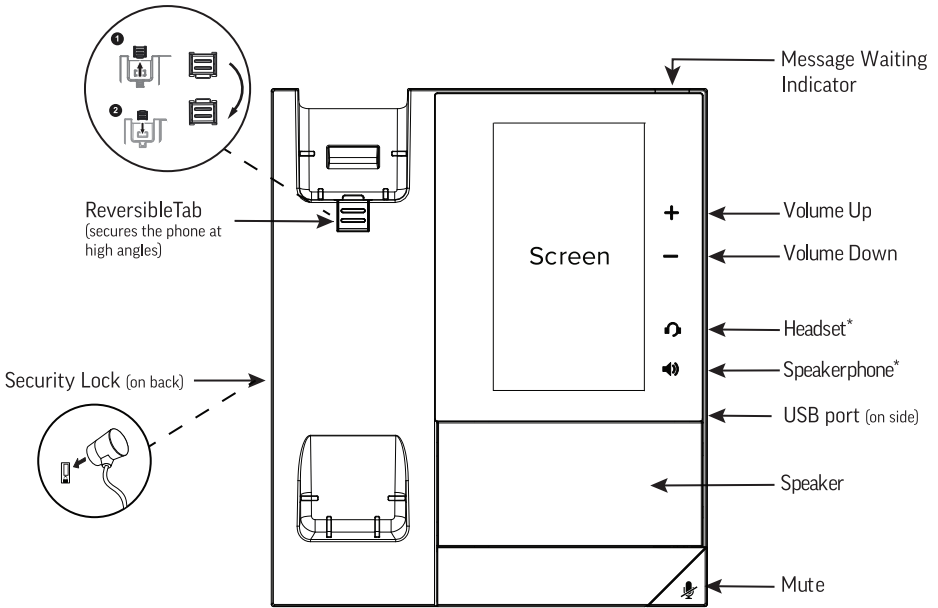


Optional Accessories

AC Power Adapter
(varies by region)

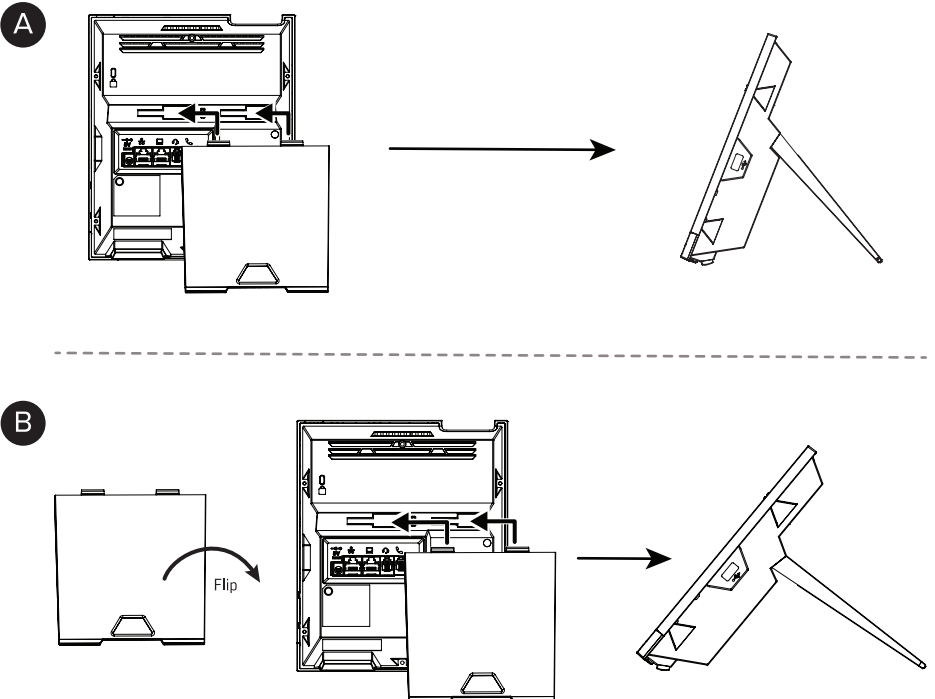
Wallmount

Features

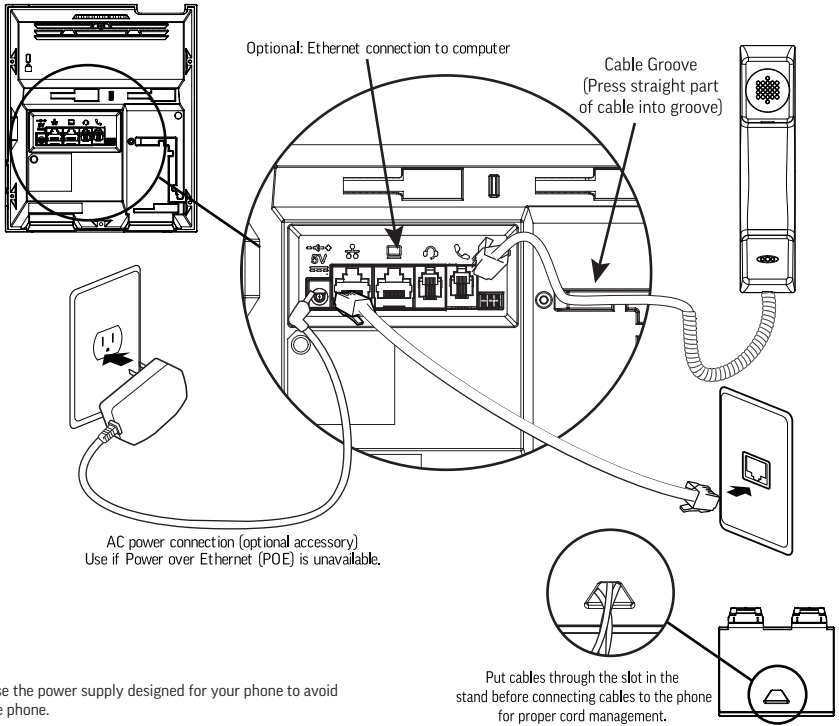


* Icon displays when the phone is powered on.

Connect Desktop Stand



Connect Cables



Connect Optional Headset

