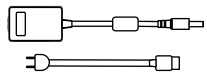
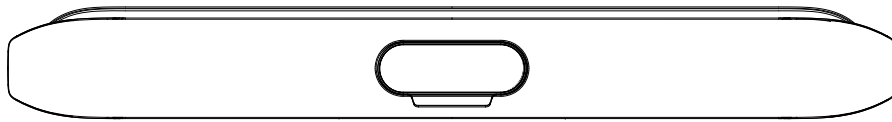


Poly Studio X50 NR (No Radio)

See the Poly Studio X30 and Poly Studio X50 Regulatory Notices for all regulatory and safety guidance prior to configuration.

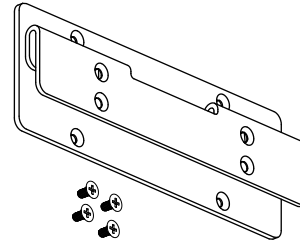
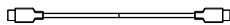
Avant de procéder à la configuration, veuillez consulter les Avis de réglementation du Poly Studio X30 and Poly Studio X50, afin de prendre connaissance des recommandations en matière de sécurité et de réglementation.

CONTENTS

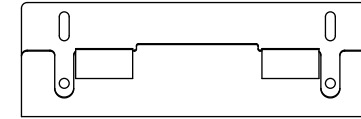


HDMI
1.83 m (6 ft)

LAN (STP)
4.57 m (15 ft)



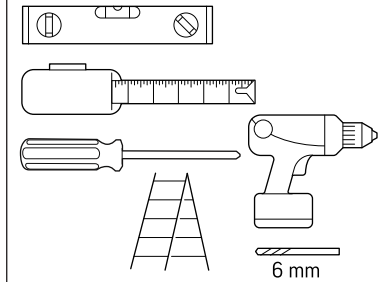
(4) M4 x 8 Screw



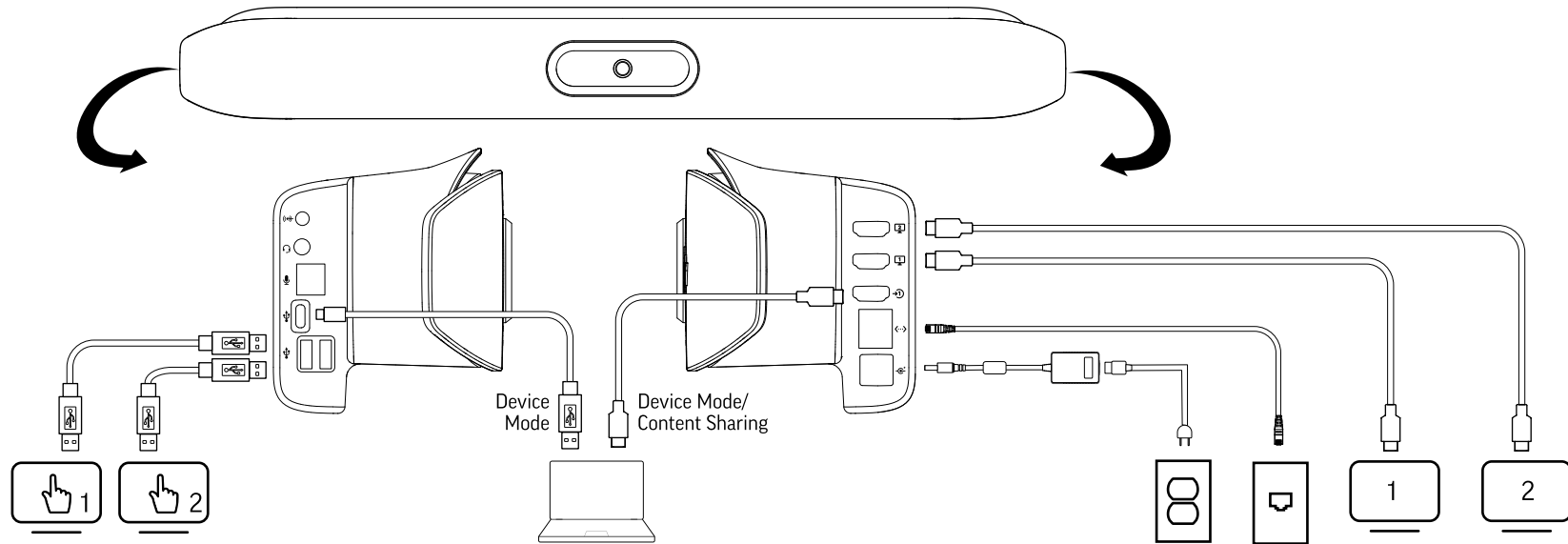
(4) #8 x 7/8" Plastic Anchor

(4) #8 x 1" Screw

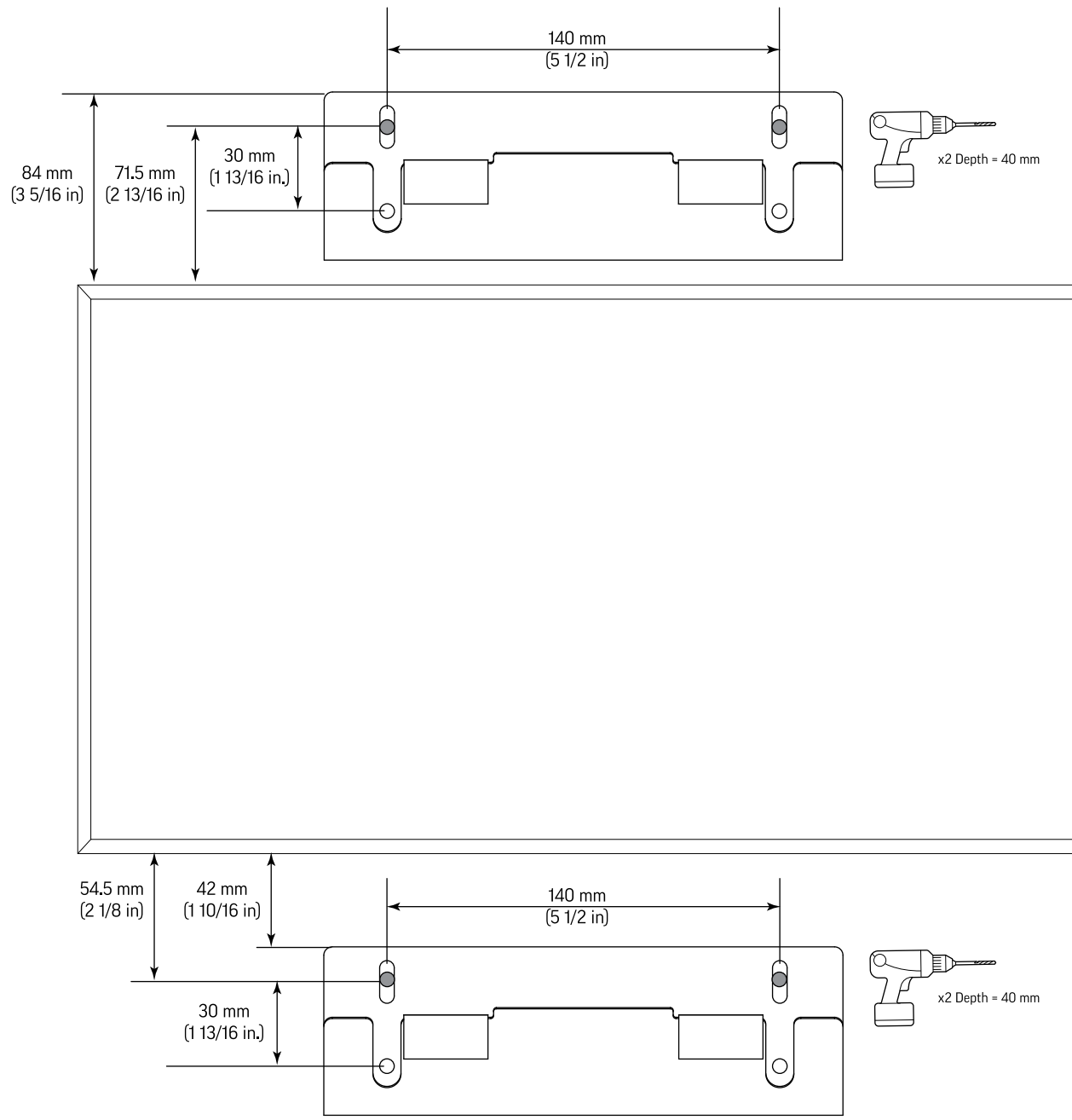
TOOLS

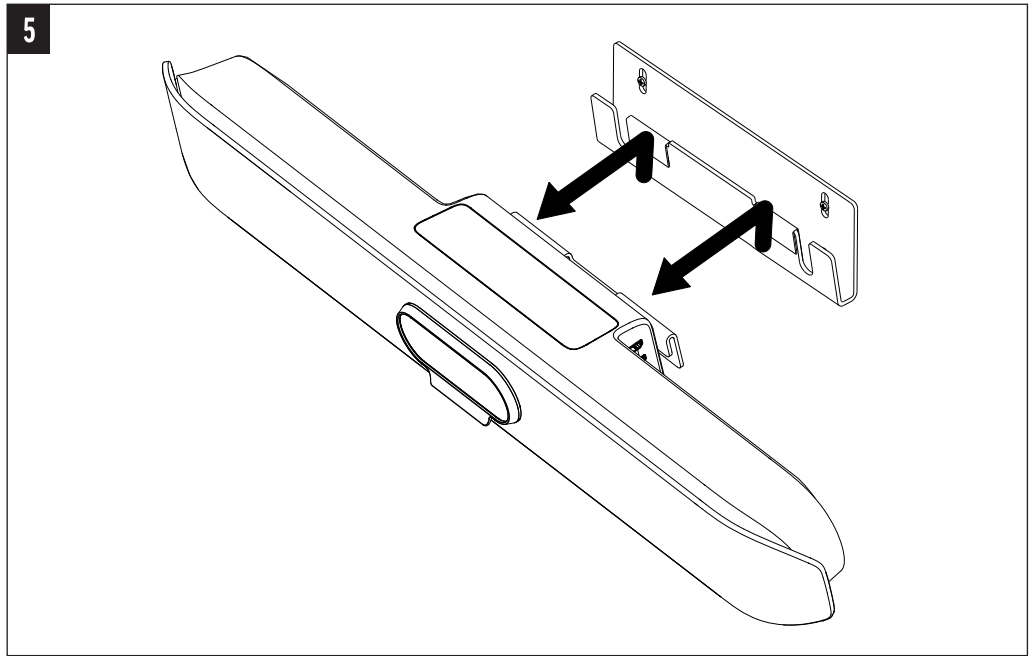
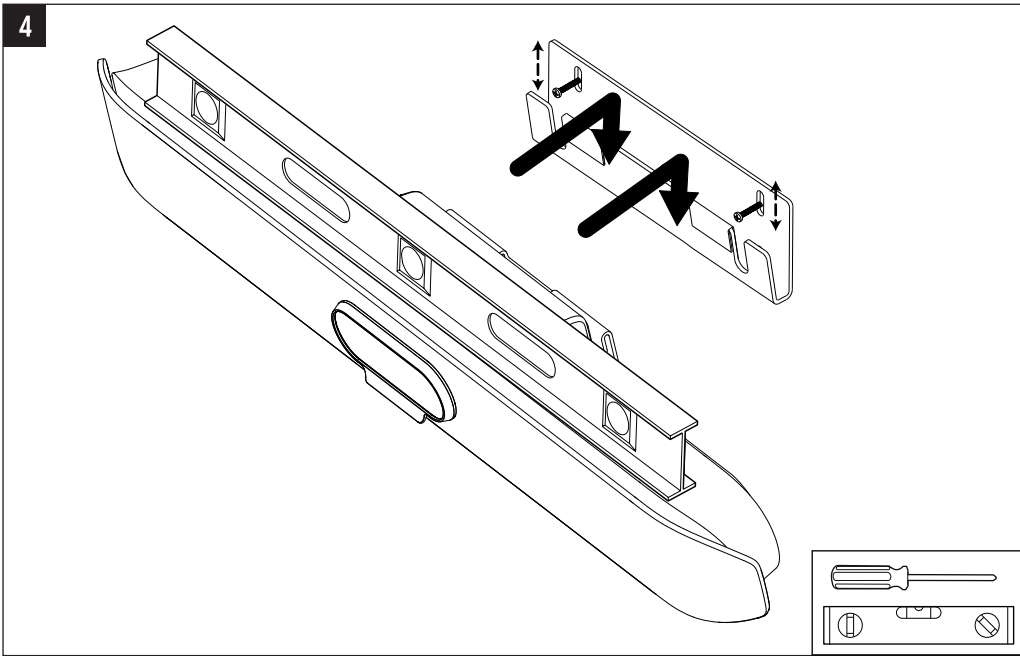
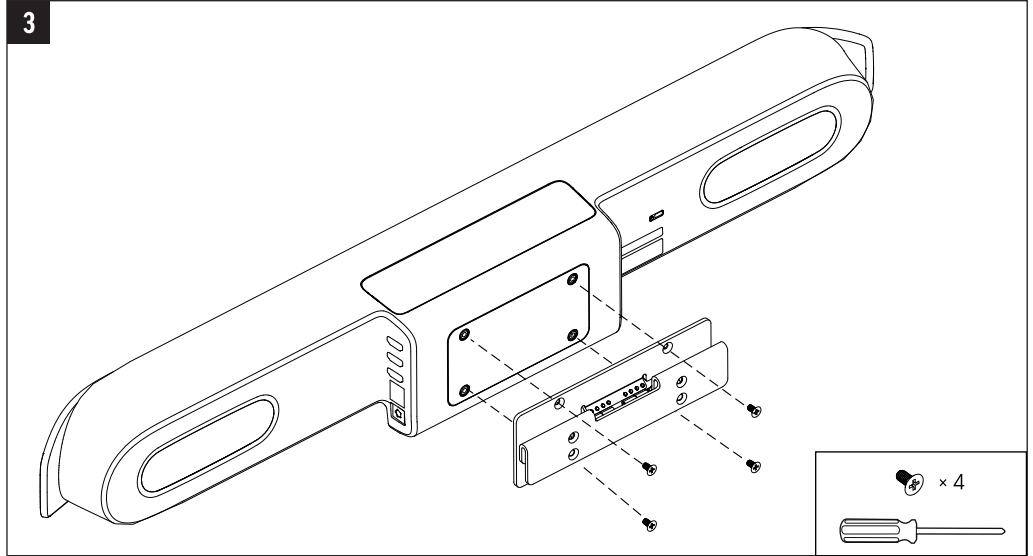
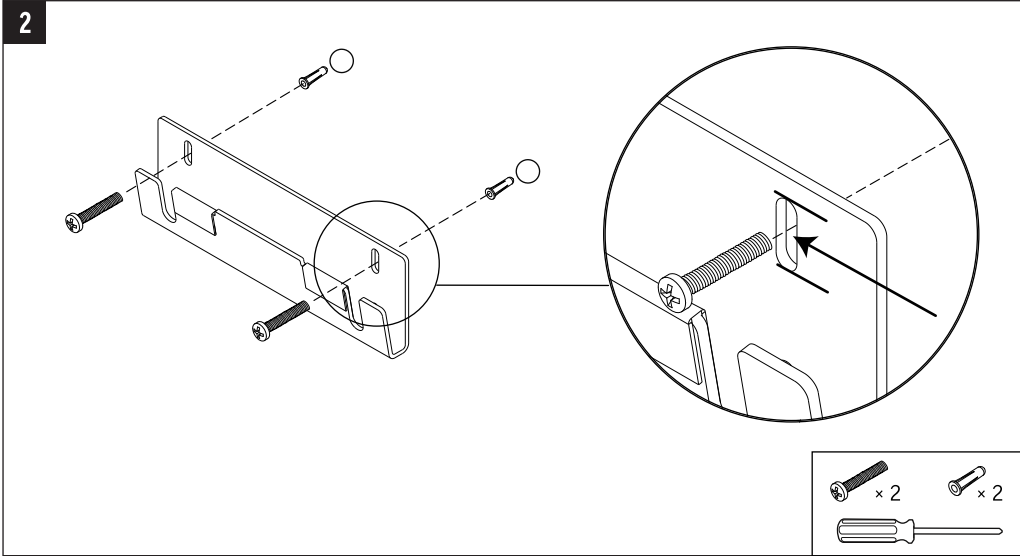


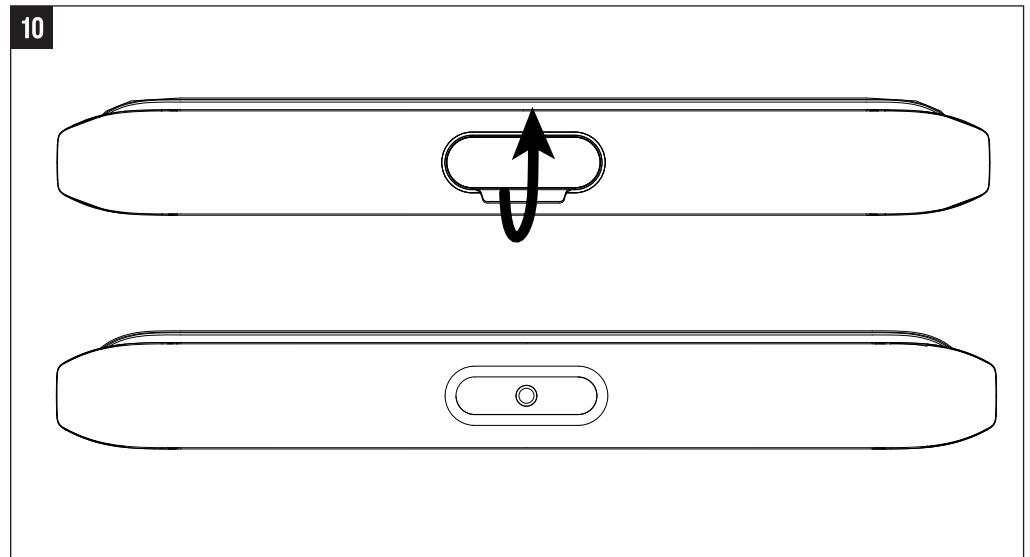
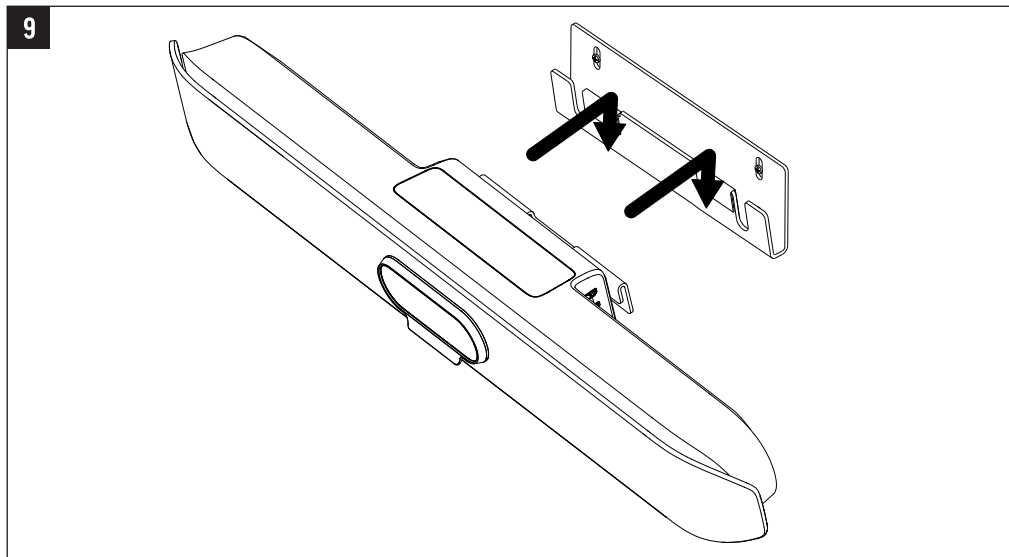
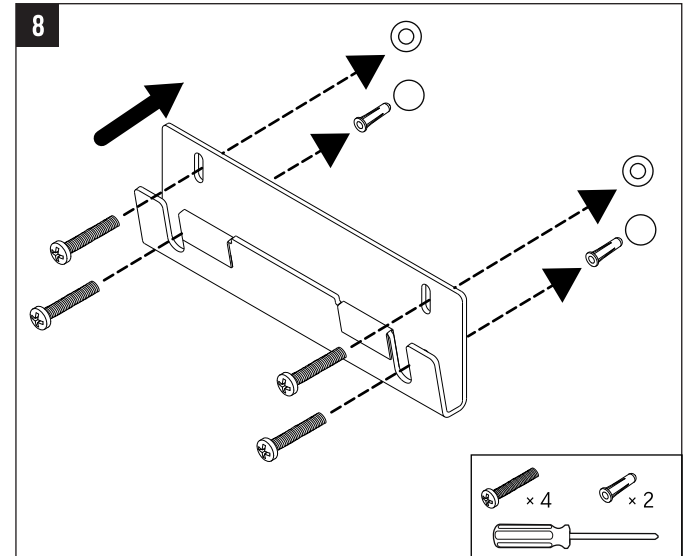
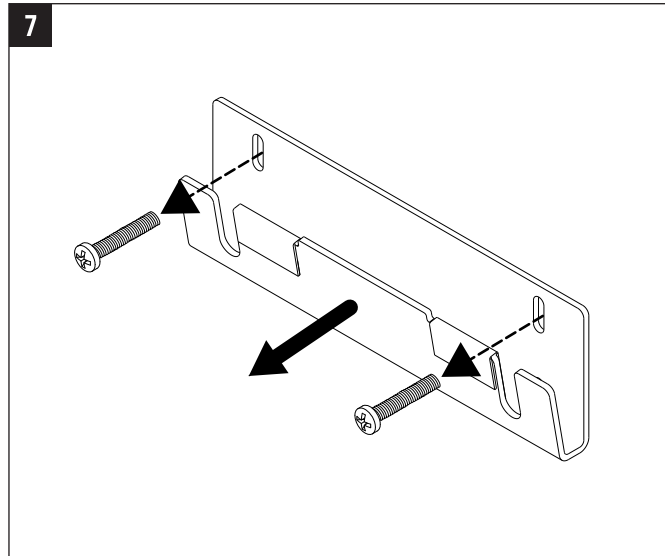
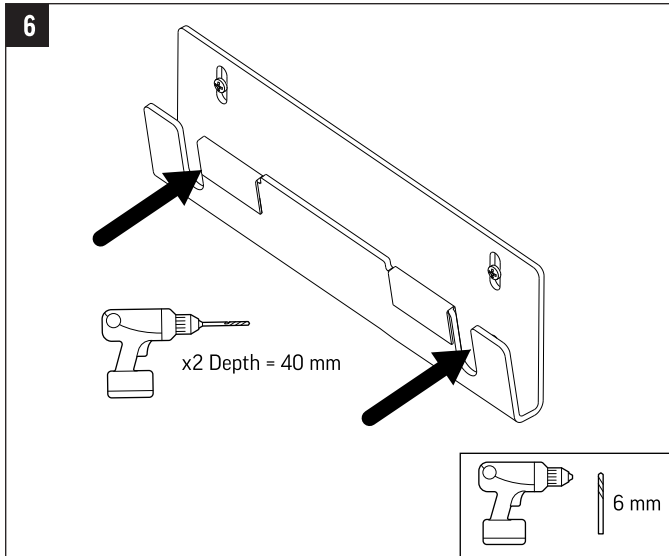
6 mm



1







© 2021 Plantronics, Inc. All rights reserved. Poly, the propeller design, and the Poly logo are trademarks of Plantronics, Inc. The Bluetooth trademark is owned by Bluetooth SIG, Inc. and any use of the mark by Plantronics, Inc. is under license. All other trademarks are the property of their respective owners.

