



QUICK START

POLY STUDIO P21

 www.poly.com/P21



© 2021 Plantronics, Inc. All rights reserved. Poly, the propeller design, and the Poly logo are trademarks of Plantronics, Inc. All other trademarks are the property of their respective owners. Manufactured by Plantronics, Inc.

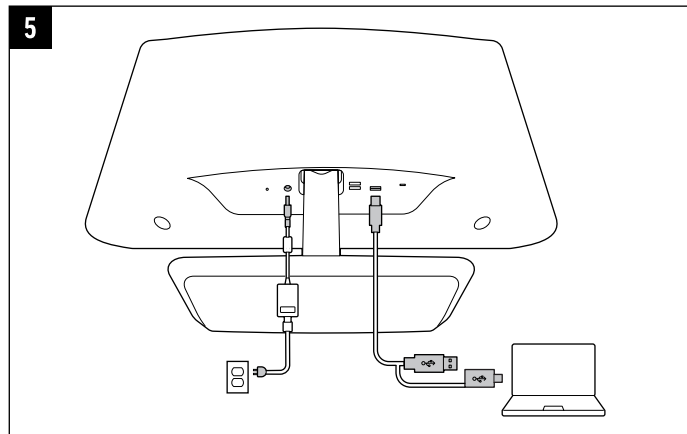
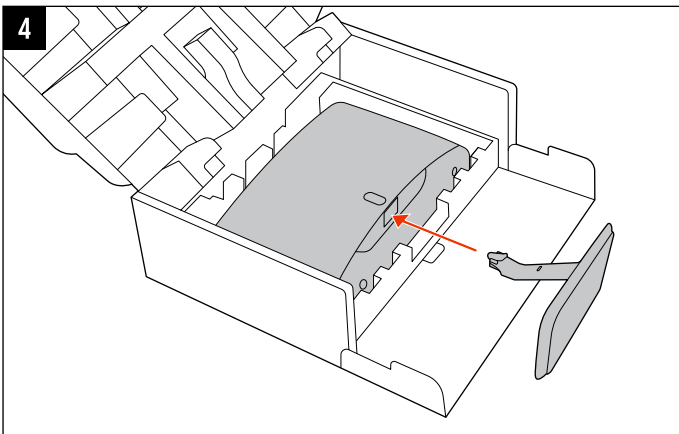
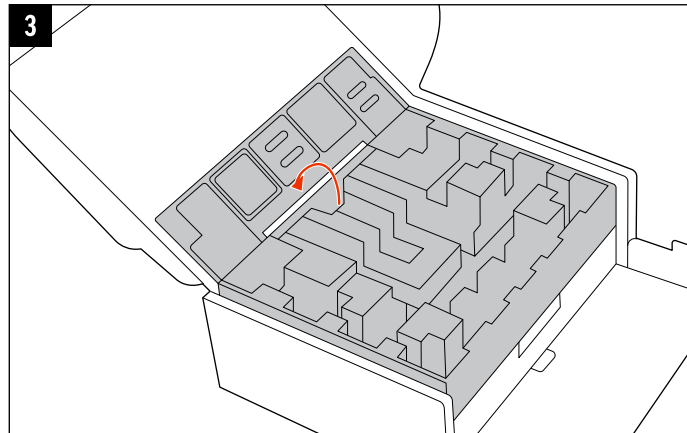
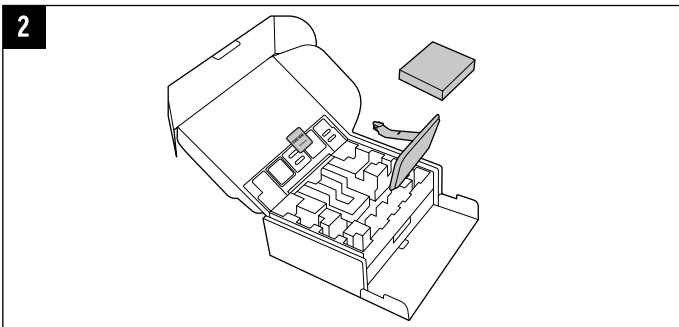


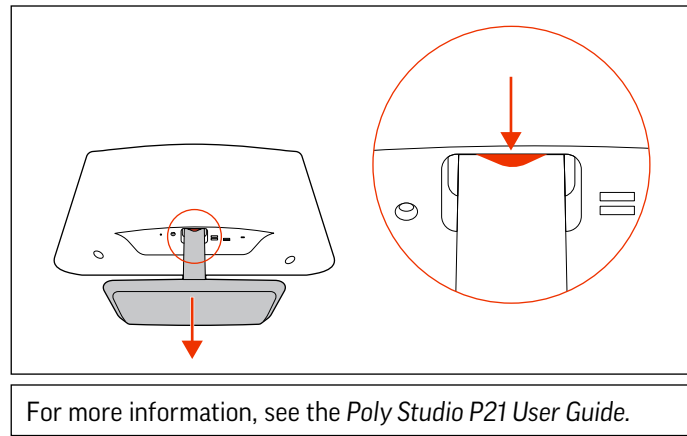
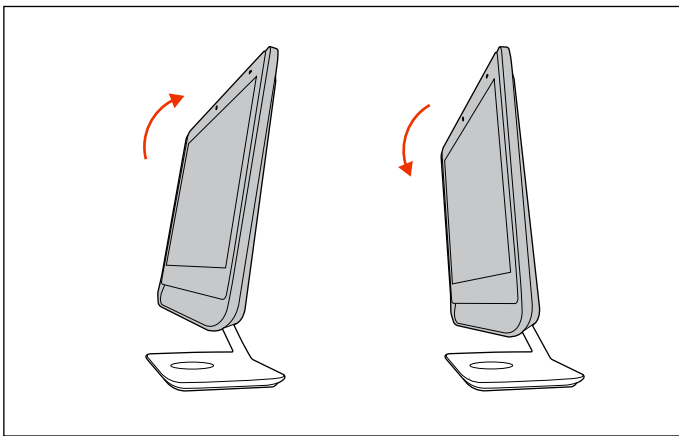
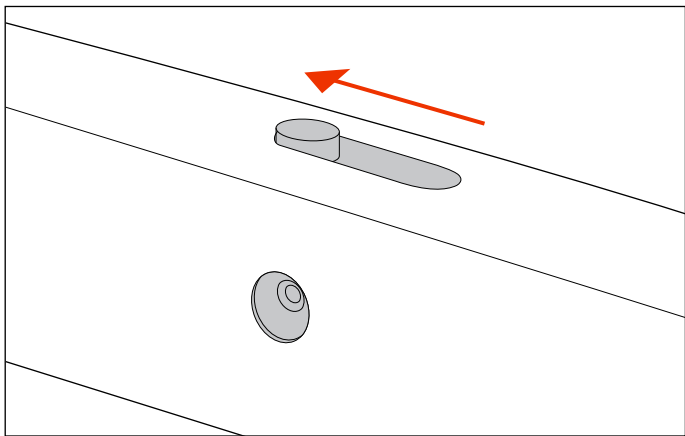
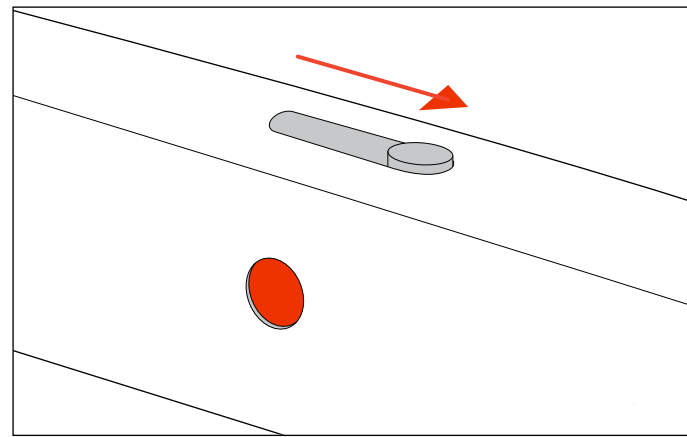
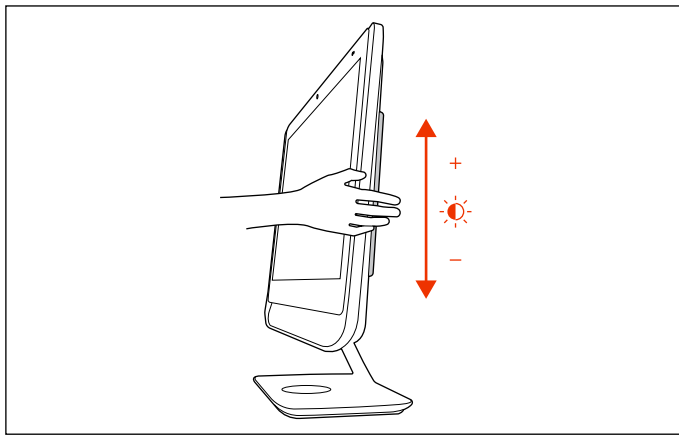
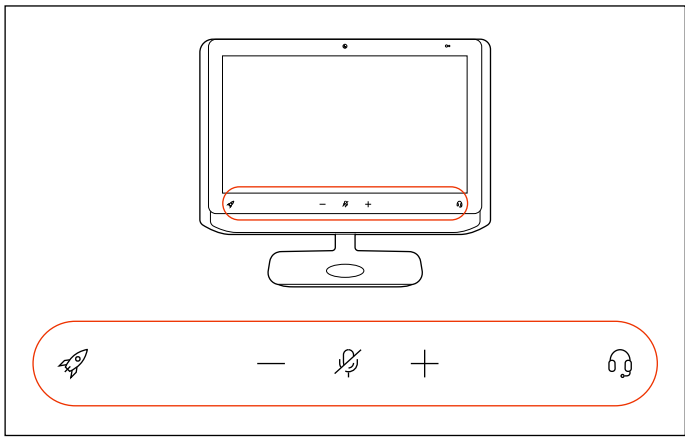
Recyclable where facilities exist



1725-87253-001D 06.21

1 **DOWNLOAD SOFTWARE** www.poly.com/P21





For more information, see the *Poly Studio P21 User Guide*.