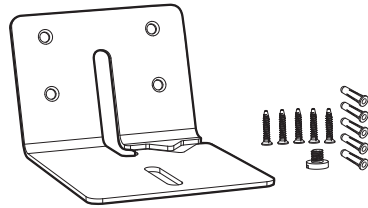
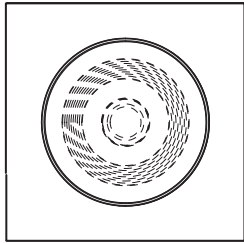


Poly EagleEye Cube USB Camera

See the Poly EagleEye Cube USB Camera Regulatory Notices guide for all regulatory and safety guidance prior to configuration.

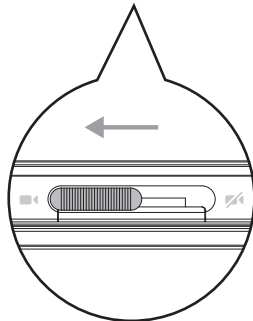
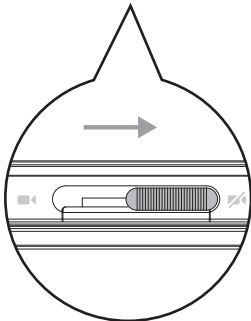
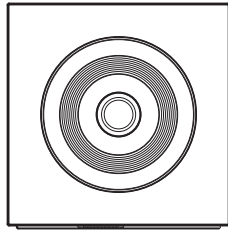
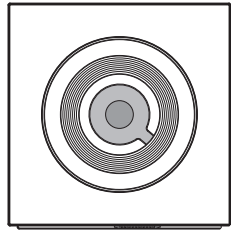
Avant de procéder à la configuration, veuillez consulter les Avis de réglementation du Caméra Poly EagleEye Cube USB, afin de prendre connaissance des recommandations en matière de sécurité et de réglementation.



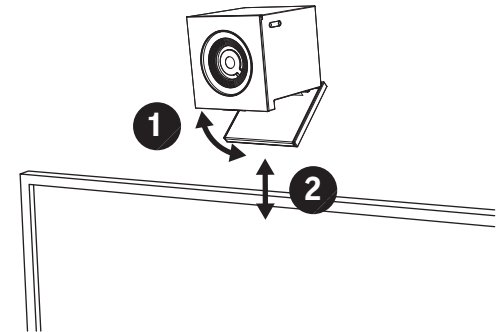
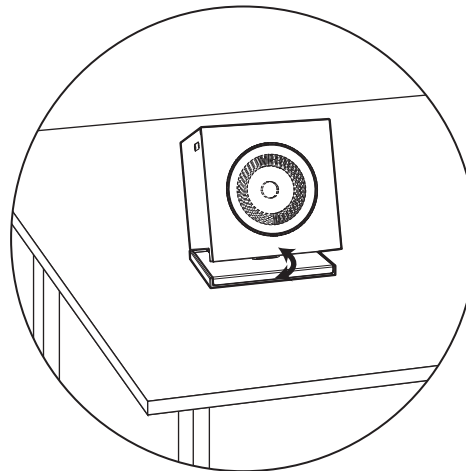
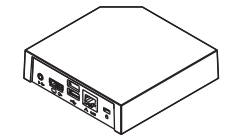
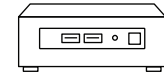
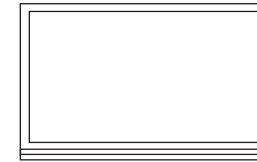
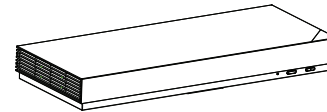
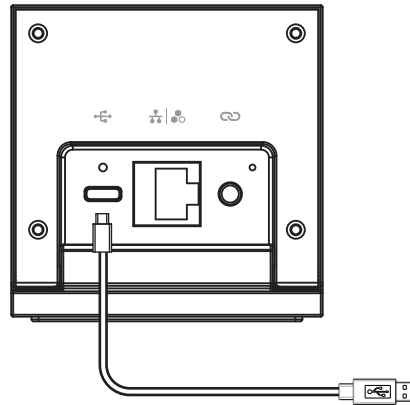
USB-C to USB-A
2 m | 6.6 ft

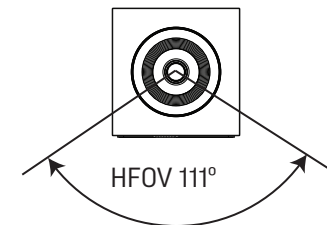
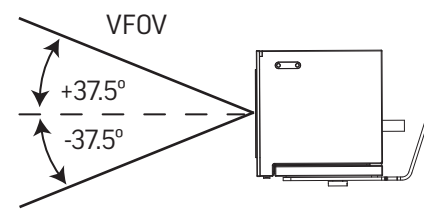
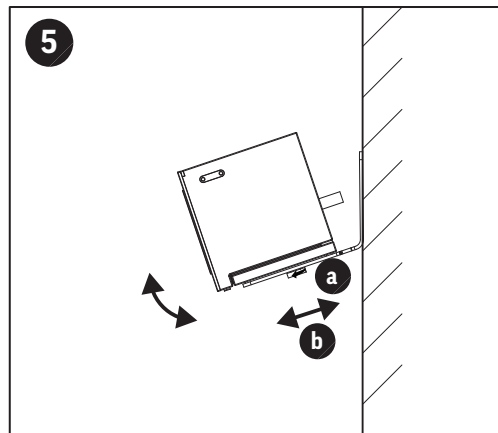
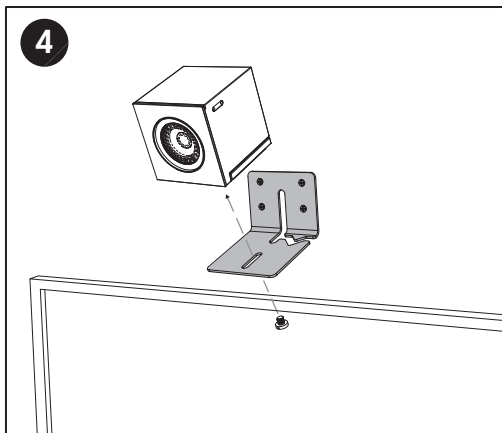
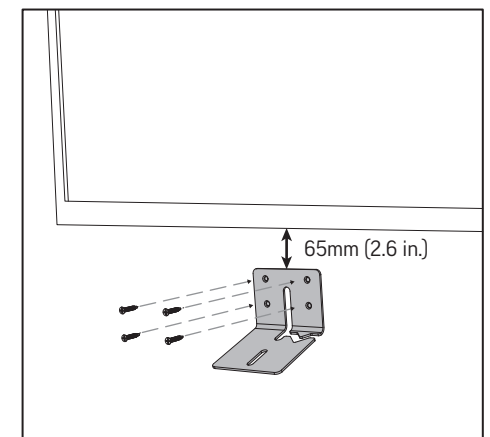
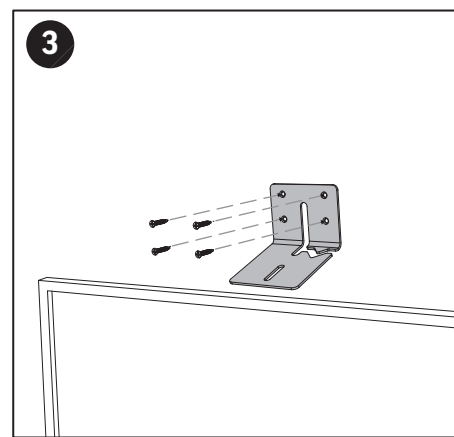
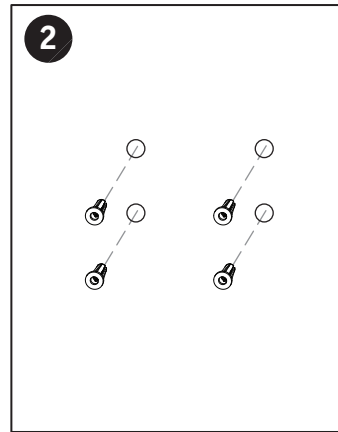
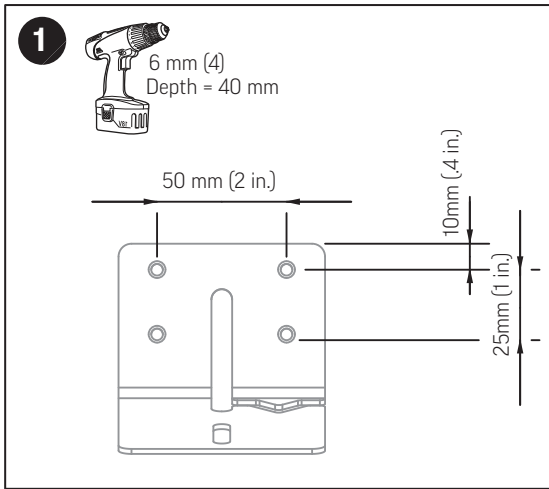


LAN
2 m | 6.6 ft



Refer to the Release Notes for a list of supported products.





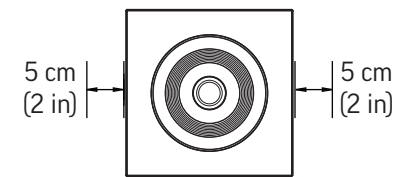
Product Documentation

Documentation du produit
 Documentación del producto
 Documentação do produto
 Produktdokumentation
 Documentazione del prodotto
 Produktdokumentasjon
 Termékdokumentáció
 Dokumentacja produktu
 Документация продукта
 製品マニュアル
 产品文档
 產品說明文件
 제품 설명서

www.polycom.com/support



Correct disposal of this product: This symbol indicates that this product must not be disposed of with household waste, according to the WEEE Directive (2012/19/EU) and your national law. This product should be taken to a collection center licensed for the recycling of waste electrical and electronic equipment (EEE). The mishandling of this type of waste could have a possible negative impact on the environment and human health due to potentially hazardous substances that are generally associated with EEE. At the same time, your cooperation in the correct disposal of this product will contribute to the efficient use of natural resources. For more information about where you can take your waste equipment for recycling, please contact your local city office, or your household waste collection service.



Operating: 0° – 40°C (32° – 104°F)
 Storage: -40° – 60°C (-40° – 140°F)

Operating: 15% – 80%
 Storage: 5% – 95% non-condensing