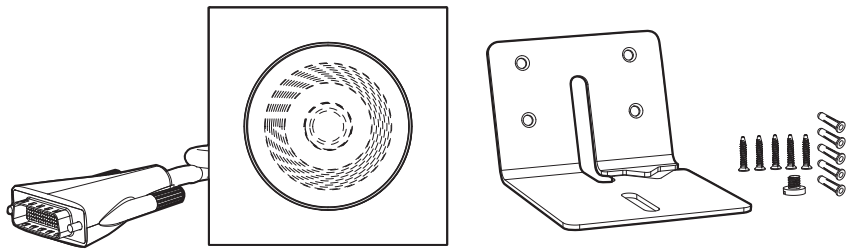


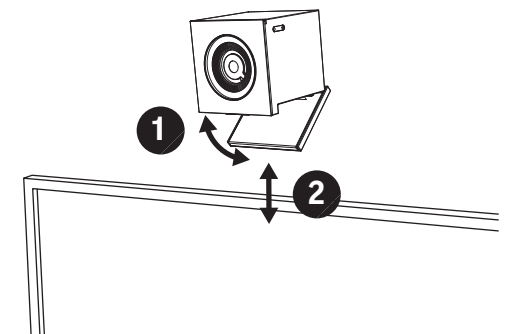
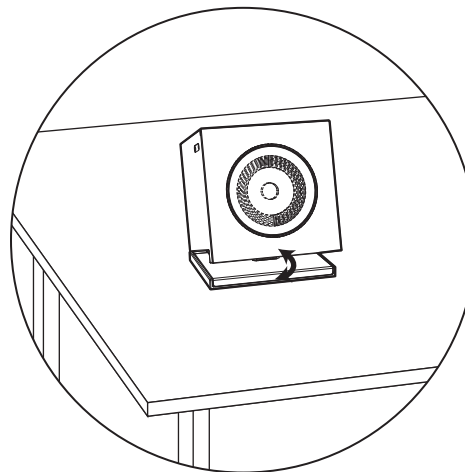
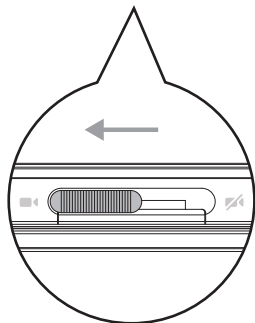
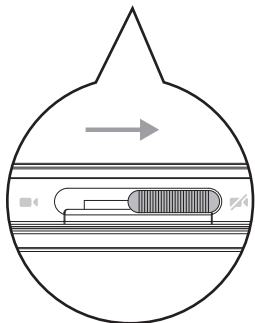
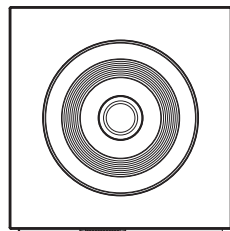
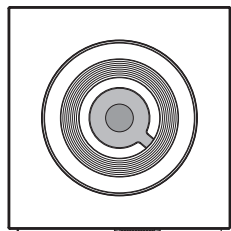
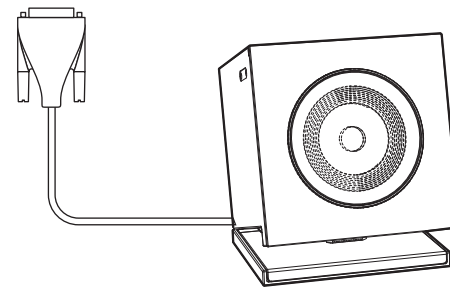
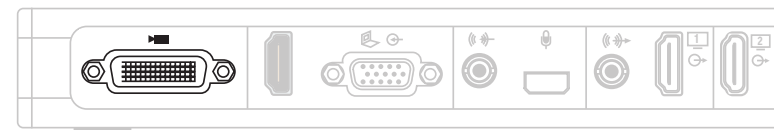
Poly EagleEye Cube HDCI Camera

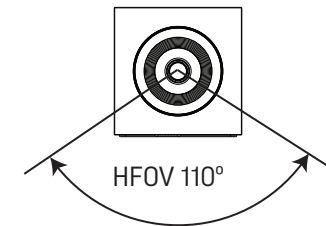
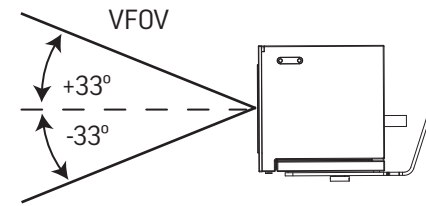
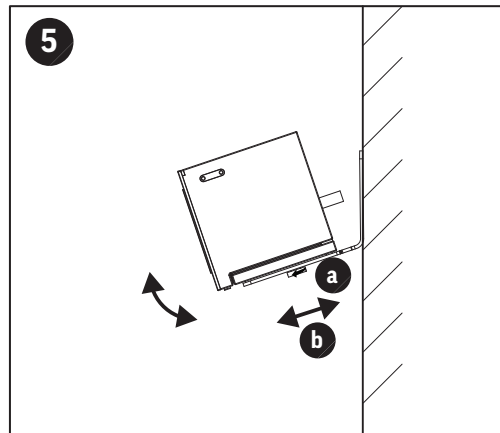
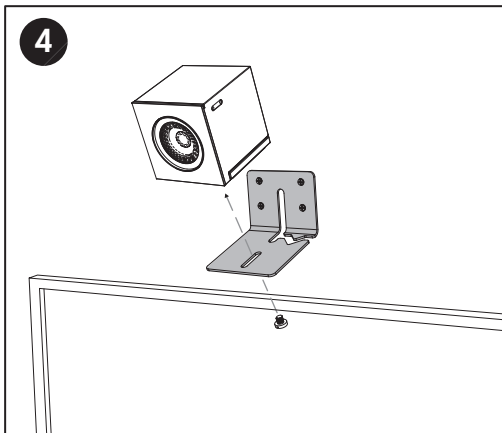
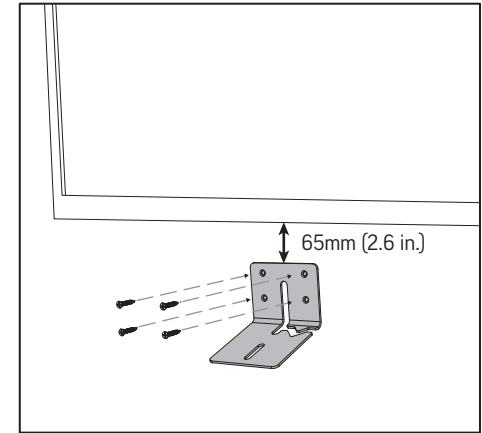
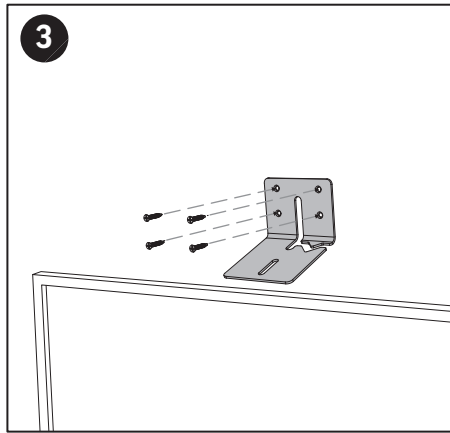
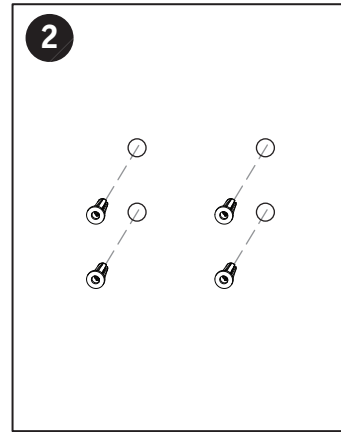
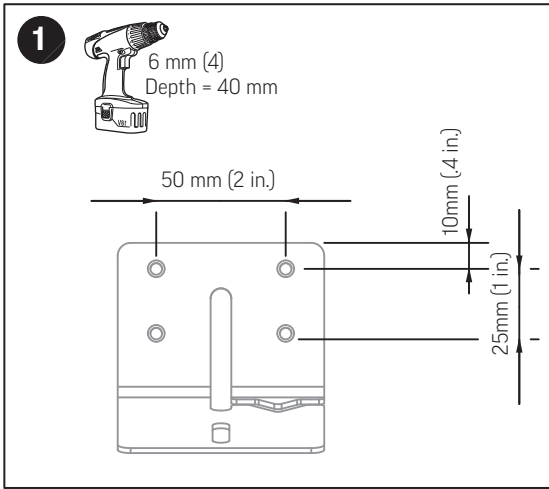
See the Poly EagleEye Cube HDCI Camera Regulatory Notices guide for all regulatory and safety guidance prior to configuration.

Avant de procéder à la configuration, veuillez consulter les Avis de réglementation du Caméra Poly EagleEye Cube HDCI, afin de prendre connaissance des recommandations en matière de sécurité et de réglementation.



Polycom RealPresence Group Series 310/500 Poly Trio VisualPro





Product Documentation

Documentation du produit
 Documentación del producto
 Documentação do produto
 Produktdokumentation
 Documentazione del prodotto
 Produktdokumentasjon
 Termékdokumentáció
 Dokumentacja produktu
 Документация продукта
 製品マニュアル
 产品文档
 产品说明文件
 제품 설명서

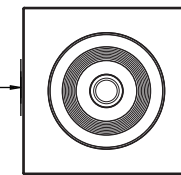
www.polycom.com/support



Correct disposal of this product: this symbol indicates that this product must not be disposed of with household waste, according to the WEEE Directive (2012/19/EU) and your national law. This product should be taken to a collection center licensed for the recycling of waste electrical and electronic equipment (EEE). The mishandling of this type of waste could have a possible negative impact on the environment and human health due to potentially hazardous substances that are generally associated with EEE. At the same time, your cooperation in the correct disposal of this product will contribute to the efficient use of natural resources. For more information about where you can take your waste equipment for recycling, please contact your local city office, or your household waste collection service.



5 cm
(2 in.)



5 cm
(2 in.)



Operating: 0° - 45°C (32° - 113°F)
 Storage: -40° - 70°C (-40° - 160°F)



Operating: 15% - 80%
 Storage: 5% - 95% non-condensing