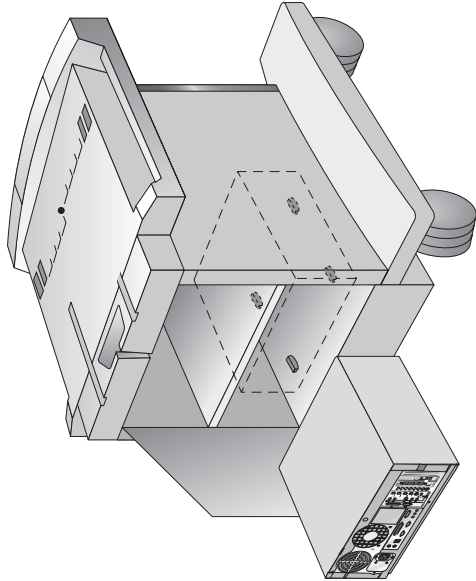


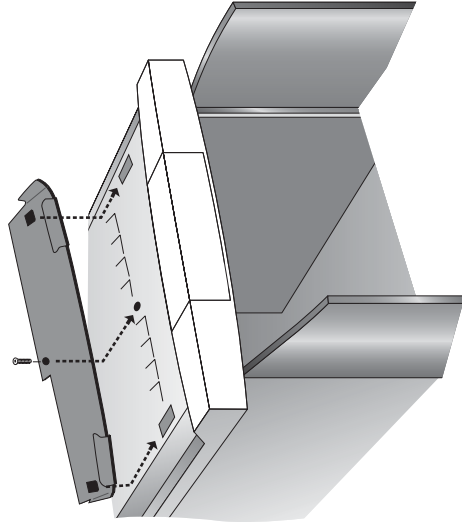
# Premier Cart



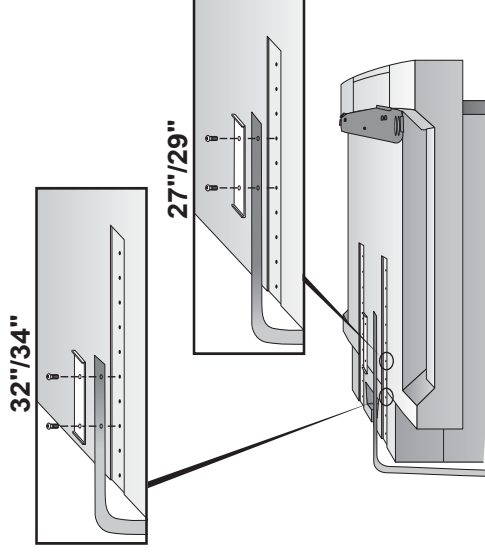
1



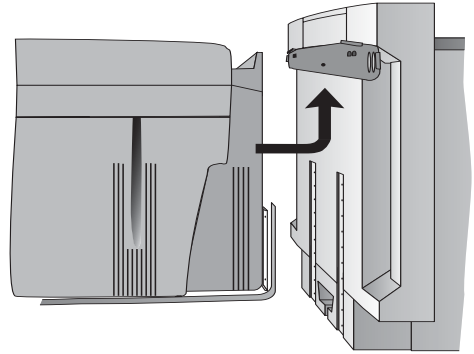
2



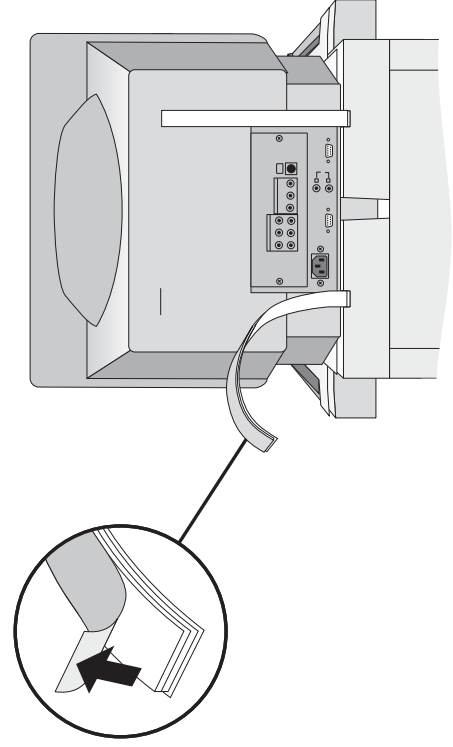
3



4



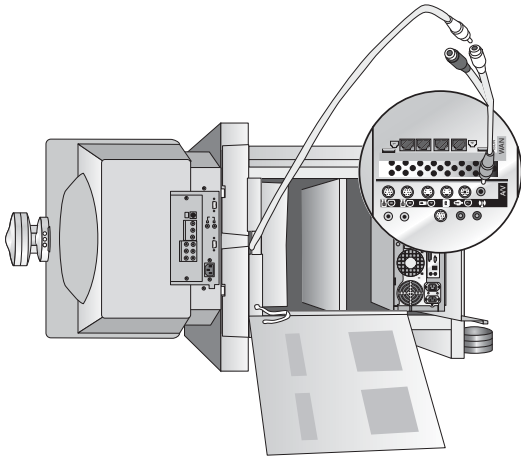
5



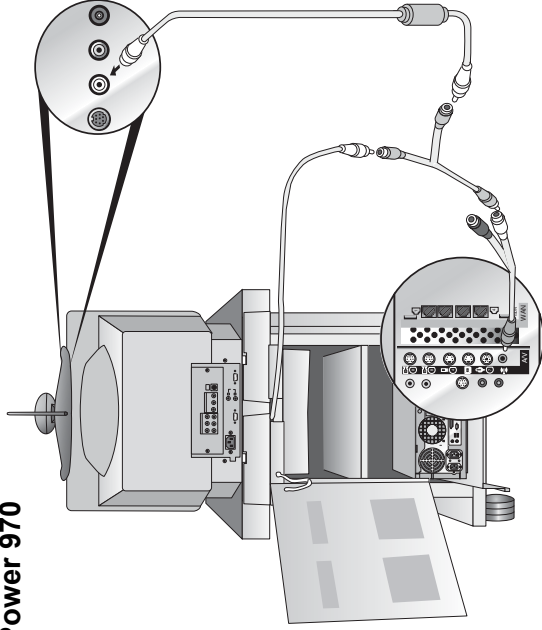
# Premier Cart

6

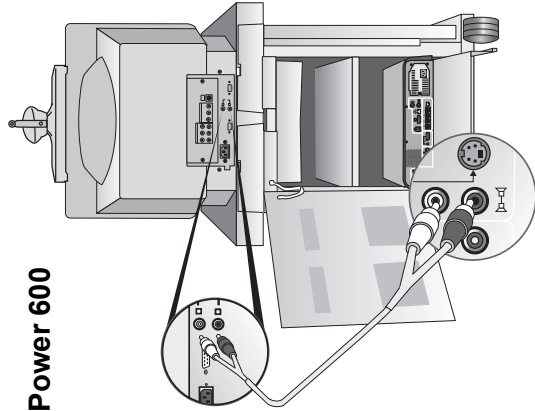
iPower 960



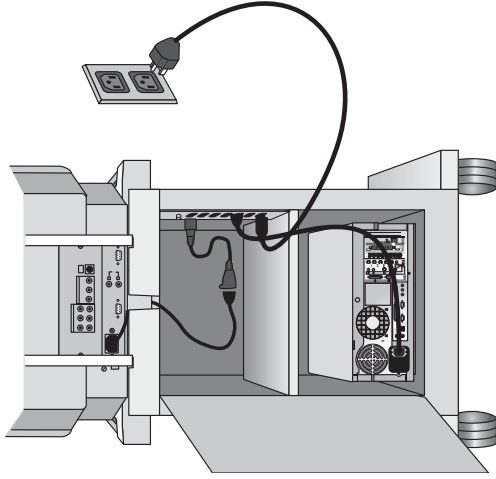
iPower 970



iPower 600



7



[www.polycom.com](http://www.polycom.com)

Copyright © 2002: Polycom, Inc.—Printed in U.S.A.  
Polycom is a registered trademark of Polycom, Inc.  
Edition: 800-1292-01/B

