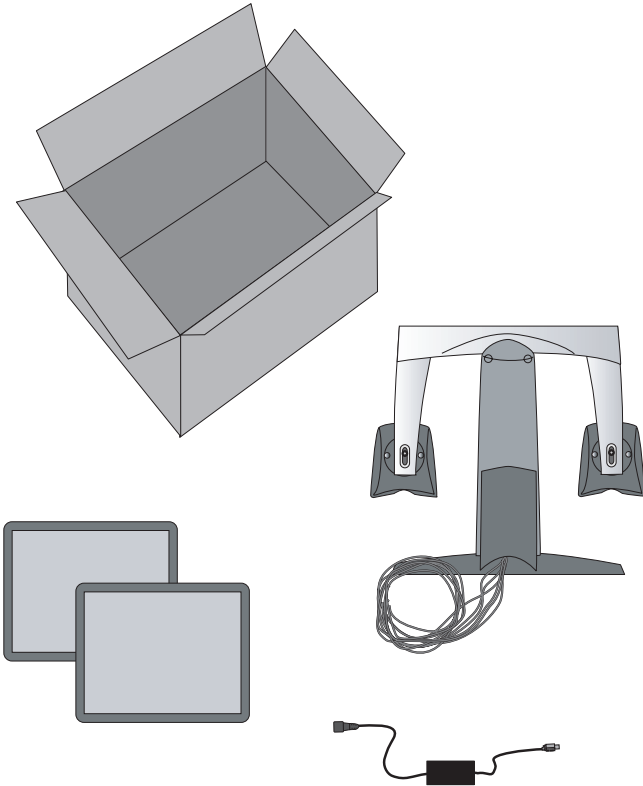




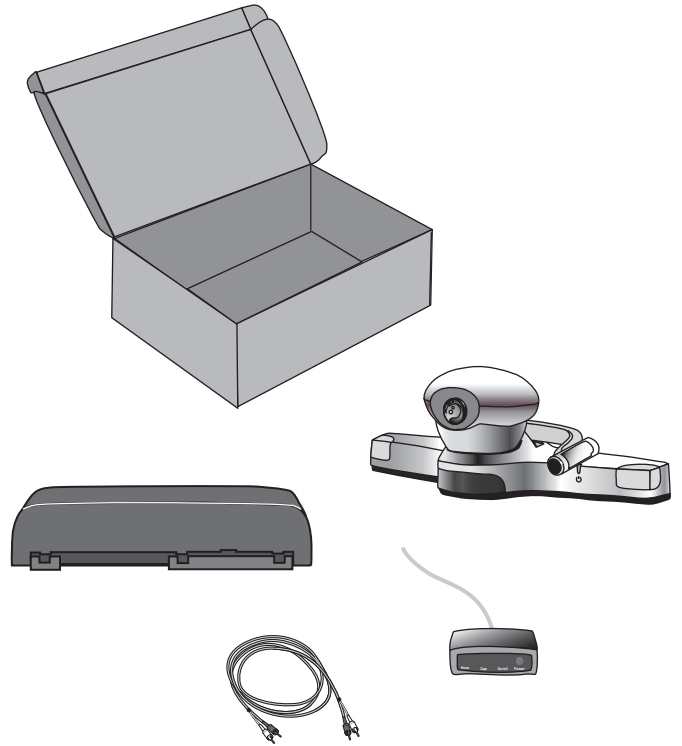
POLYCOM

# iPower™ Executive

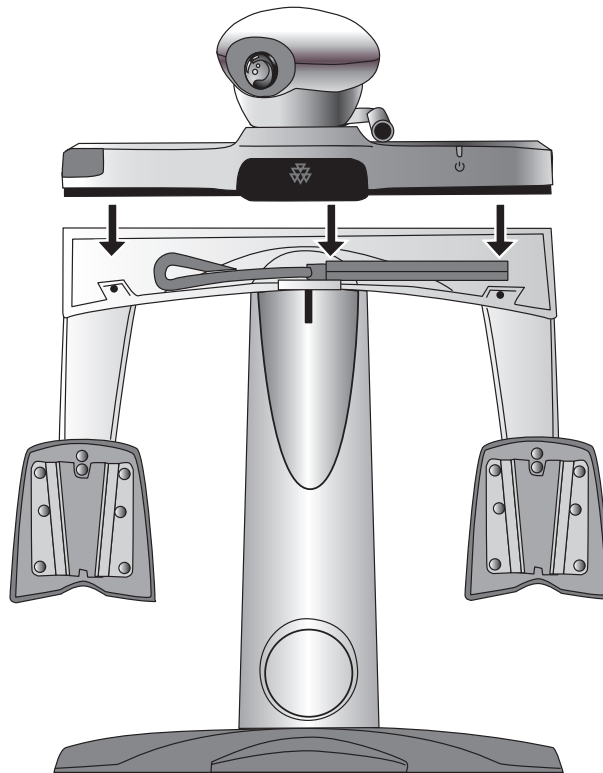
1



2

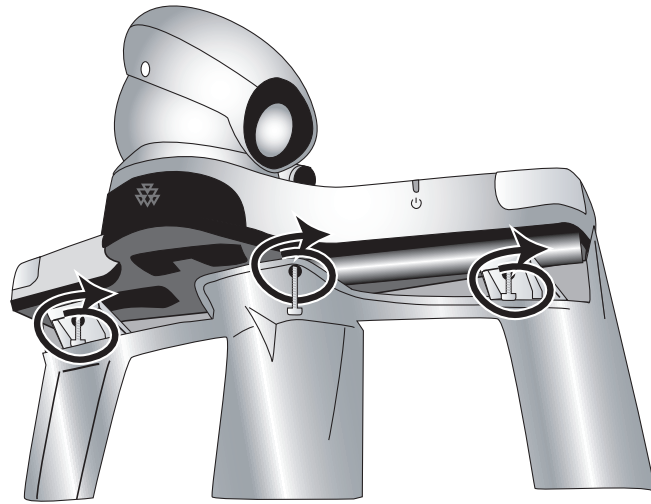


3

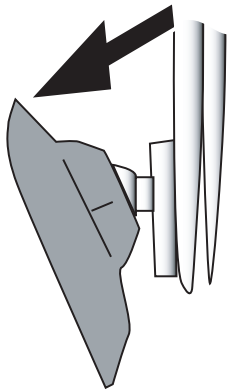


# iPower Executive

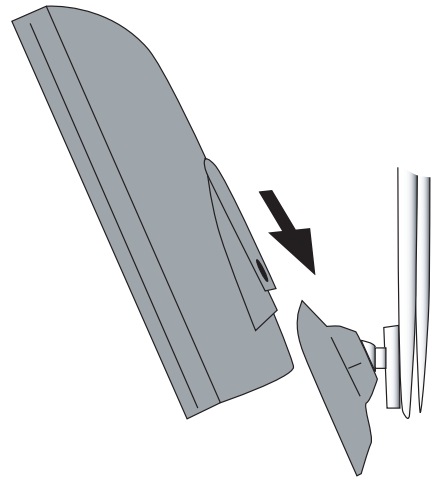
4



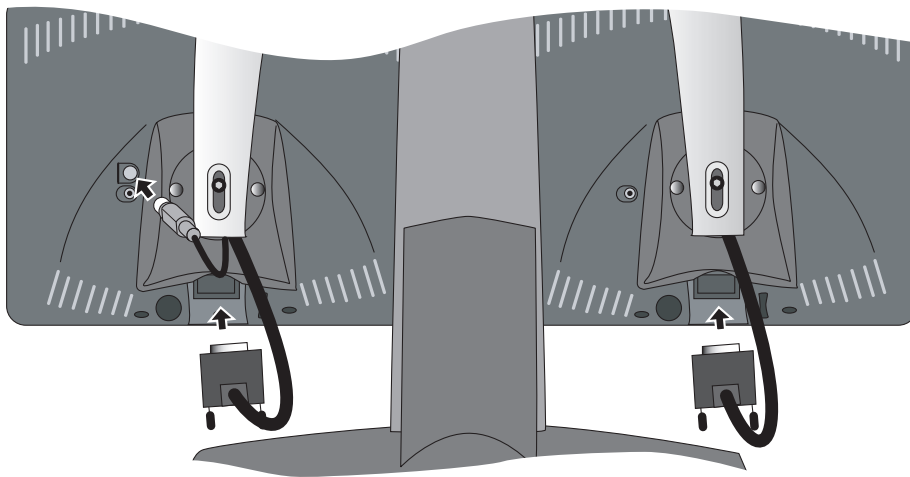
5



6

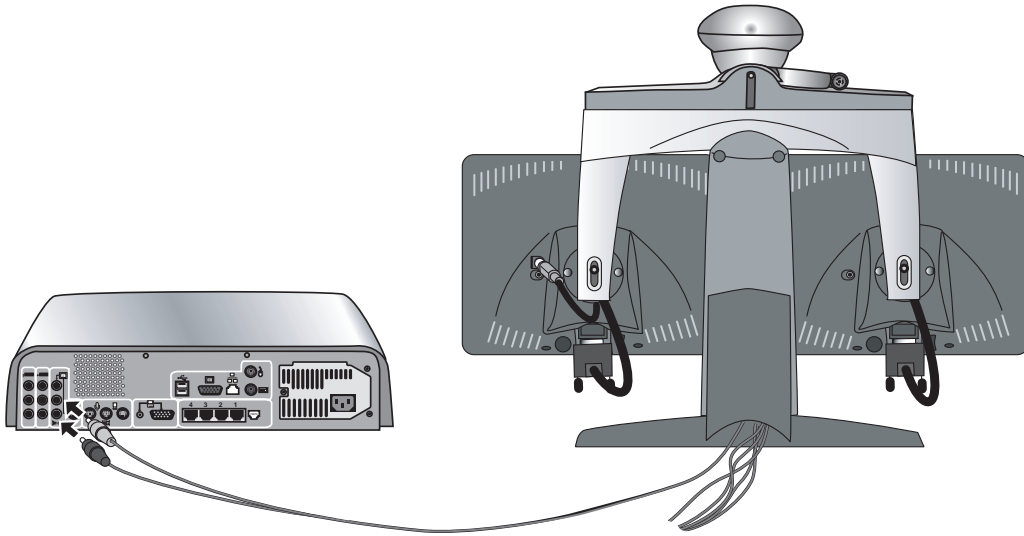


7

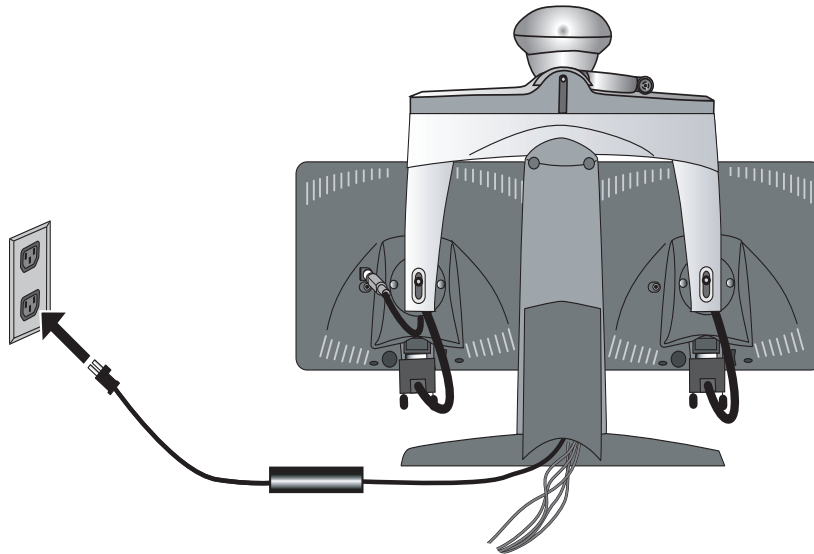


# iPower Executive

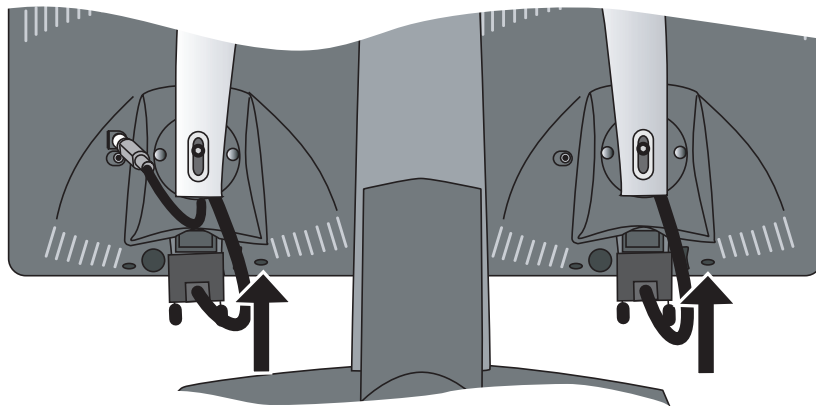
8



9

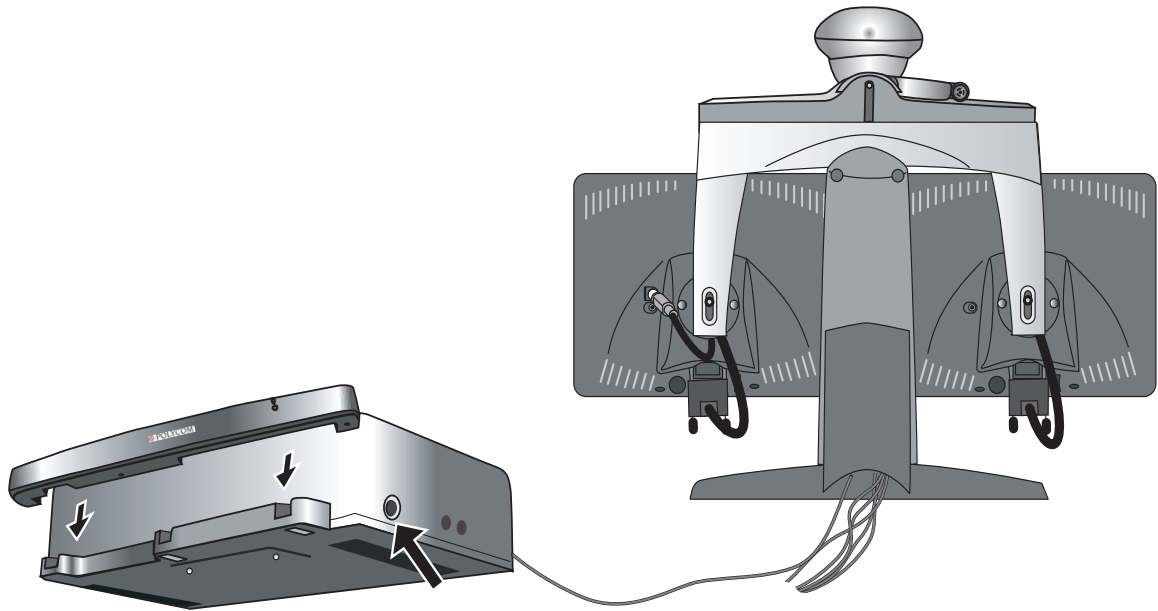


10



# iPower Executive

11



12



Copyright © 2002: Polycom, Inc.  
Polycom is a registered trademark of Polycom, Inc.  
iPower is a trademark of PictureTel Corporation.  
Edition: 3725-50422-001

