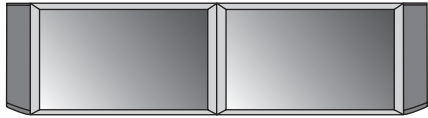


# Setting up the Polycom® Executive Collection Wall System



<p><b>1</b></p>		<p><b>2</b></p> <p>Because wall construction varies greatly, screws and other mounting devices are not provided.</p> <p>Mount the plasma displays at a height appropriate for your room. Using mounting layout shown, the 61" display is 36" (91.44 cm) from the floor. The 50" display is 40" (101.6 cm) from the floor.</p> <p>These instructions describe a basic system setup that routes cables along the wall. If you prefer to route the cables inside the wall, you need to make these openings in the wall:</p> <ul style="list-style-type: none"> <li>1.5" hole no more than 3.25" (82.6 cm) below the lower rail</li> <li>1.5" hole behind the credenza</li> </ul>
<p>North America</p>	<p>Europe</p>	
<p>North America</p> <p>Attaching the Volume Attenuator</p>	<p>Europe</p> <p>Attaching the Volume Attenuator</p>	
<p>For 50-inch plasma displays only</p> <p>X 16</p>	<p>Chief Manufacturing Inc.</p>	



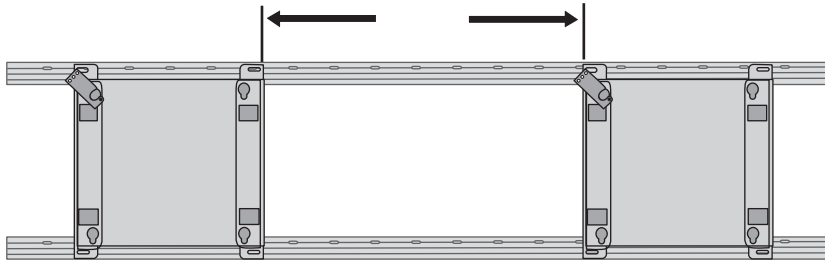


# Setting up the Polycom® Executive Collection Wall System



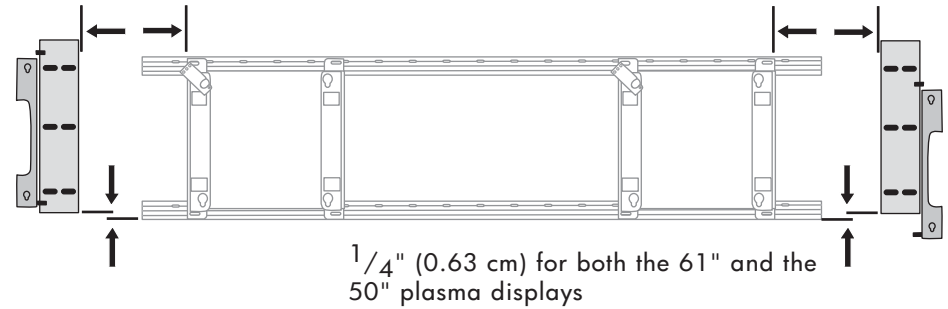
3

40<sup>1</sup>/<sub>2</sub>" (102.87 cm) for the 61" plasma display  
30<sup>1</sup>/<sub>4</sub>" (76.84 cm) for the 50" plasma display



4

15<sup>1</sup>/<sub>8</sub>" (38.42 cm) for the 61" plasma display  
10<sup>1</sup>/<sub>16</sub>" (25.56 cm) for the 50" plasma display



1/4" (0.63 cm) for both the 61" and the 50" plasma displays

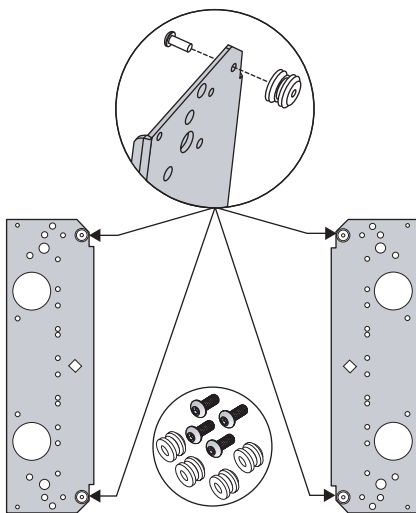
5

If you have 50-inch plasma displays, perform this step for **each** plasma display. If you have 61-inch plasma displays, skip to Step 6. The screws and spacers provided by Polycom for this step replace the shorter screws and spacers provided by Chief Manufacturing.

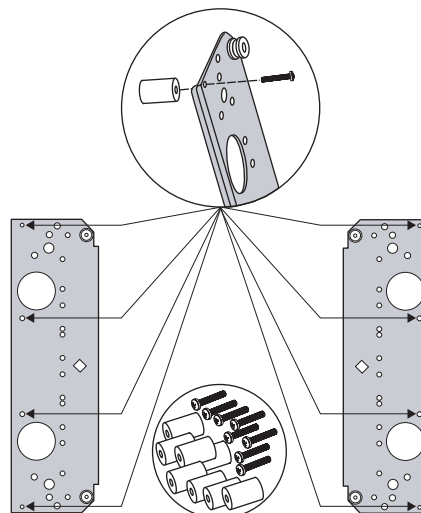
Refer to:

Chief Manufacturing Inc.  
Installation Instructions

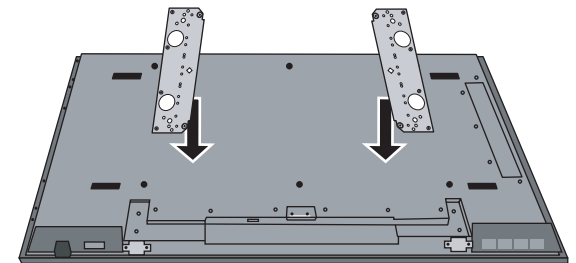
a

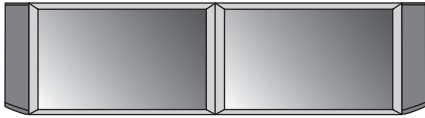


b



c



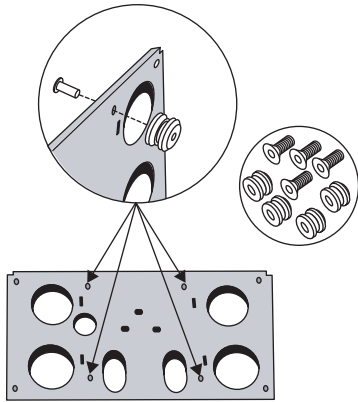


# Setting up the Polycom® Executive Collection Wall System

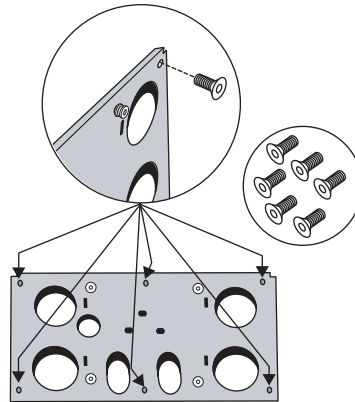


**6** If you have 61-inch plasma displays, perform this step for **each** plasma display.

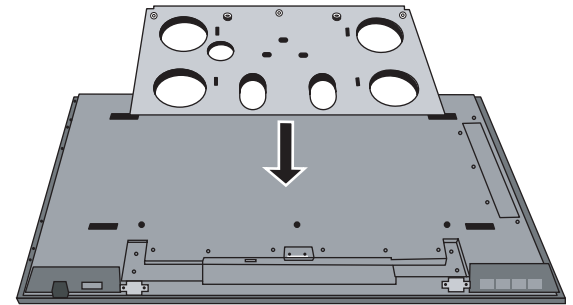
**a**



**b**



**c**

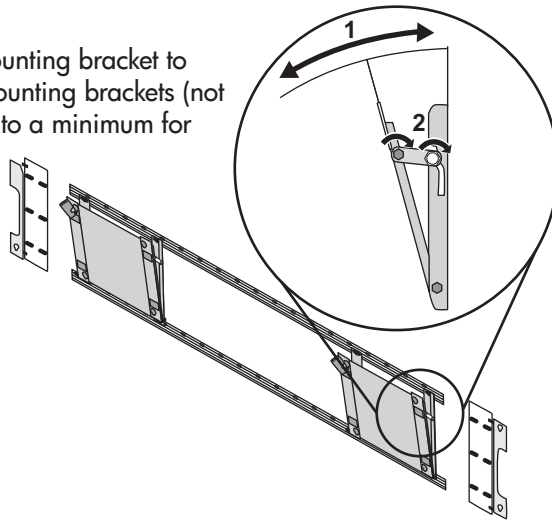


Refer to:

Chief  
Manufacturing  
Inc.  
Installation  
Instructions

**7**

1. Set the tilt angle of the plasma mounting bracket to match the angle of the speaker mounting brackets (not more than 7°). Keep the tilt angle to a minimum for better on-screen viewing.
2. Tighten the screws securely.



Refer to:

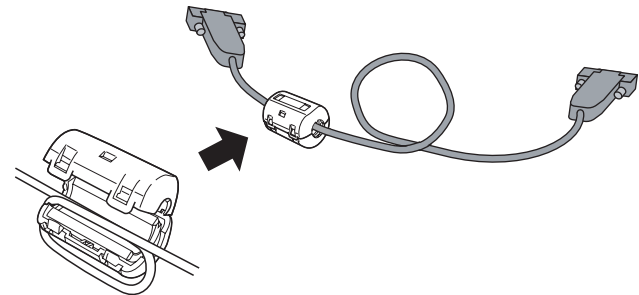
Chief  
Manufacturing  
Inc.  
Installation  
Instructions

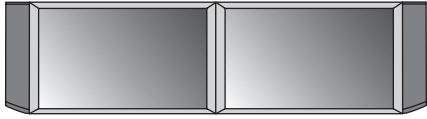
**8**

For information on whether or not you need to attach a ferrite core to any of your cables, see the manual that came with the plasma displays.

Refer to:

Plasma  
Display  
User  
Manual



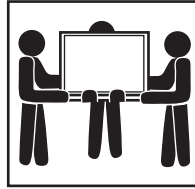
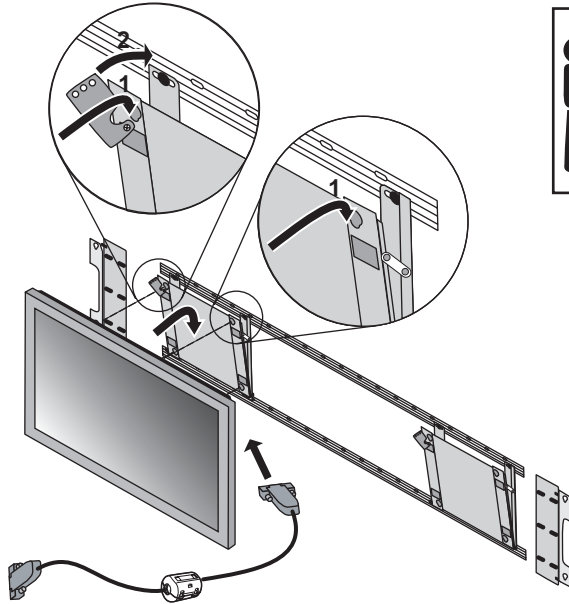


# Setting up the Polycom® Executive Collection Wall System

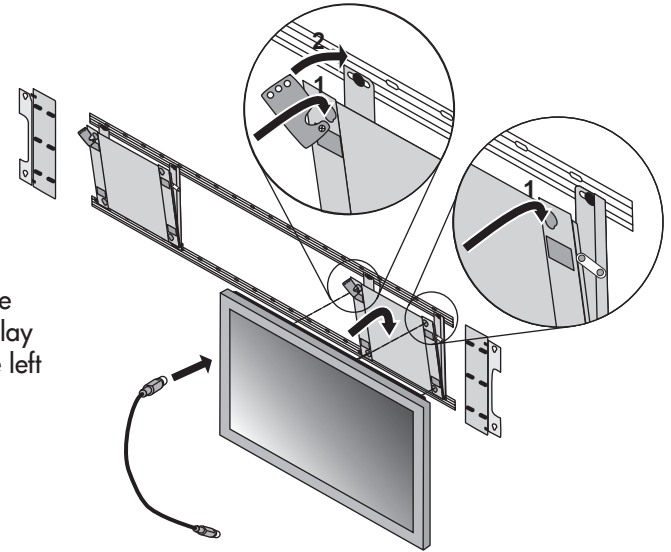


9

If you have 50-inch plasma displays, you must mount and cable the left plasma display before you mount the right plasma display.

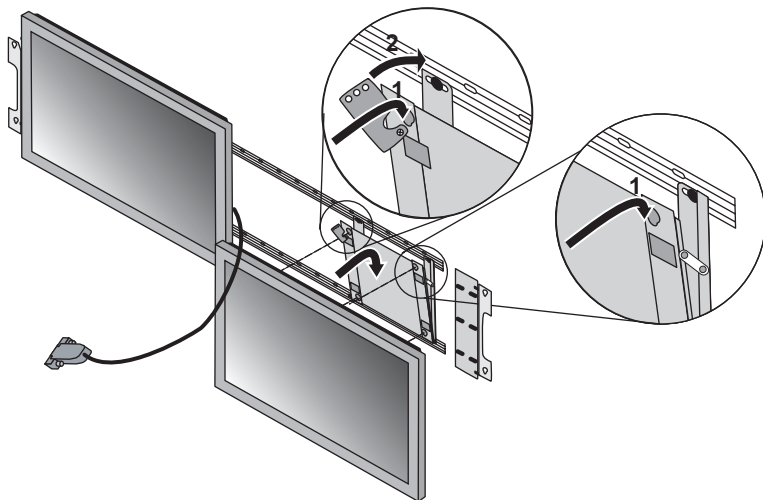


If you have 61-inch plasma displays, you must mount and cable the right plasma display before you mount the left plasma display.

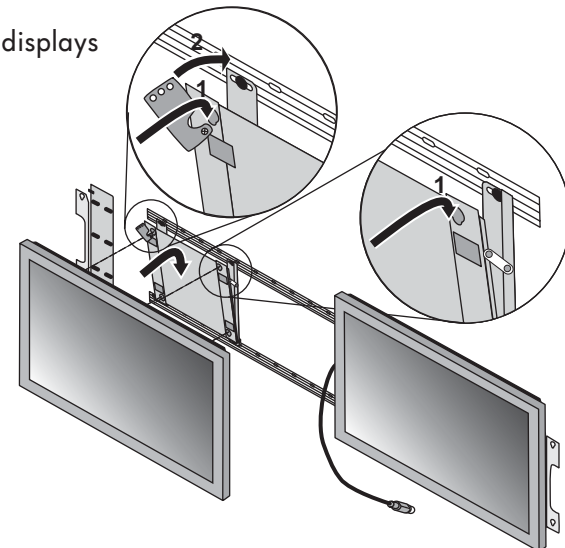


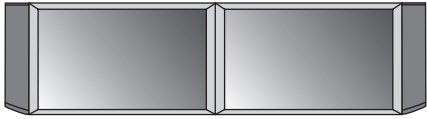
10

50-inch plasma displays



61-inch plasma displays

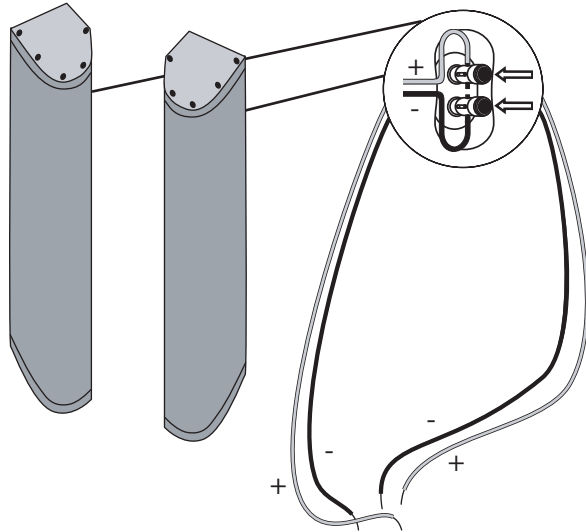




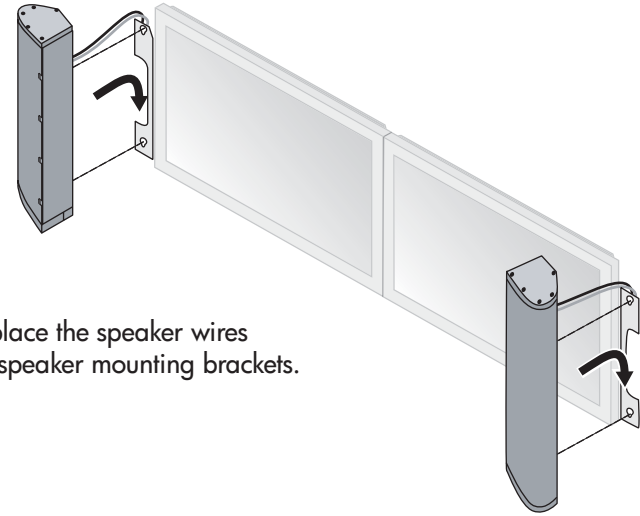
# Setting up the Polycom® Executive Collection Wall System



11



12



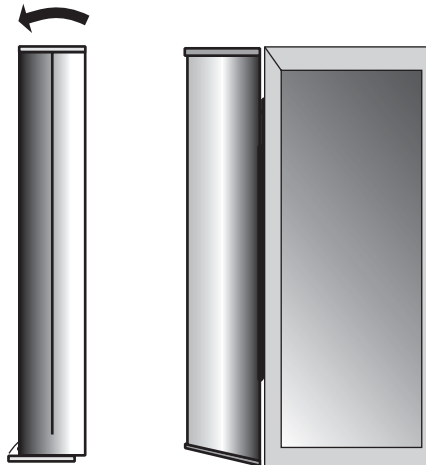
Be sure to place the speaker wires behind the speaker mounting brackets.

13

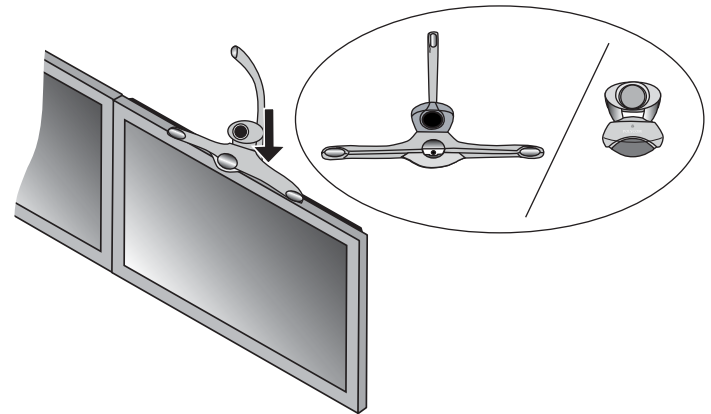
Side View

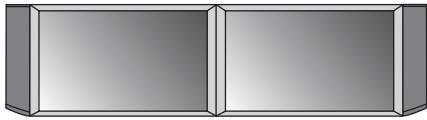
Front View

Align the tilt angle of the speaker mounting brackets with the tilt angle of the plasma mounting brackets. Polycom recommends the minimum tilt angle.



14

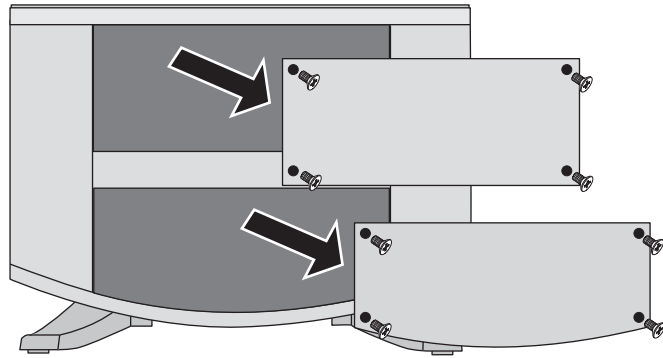




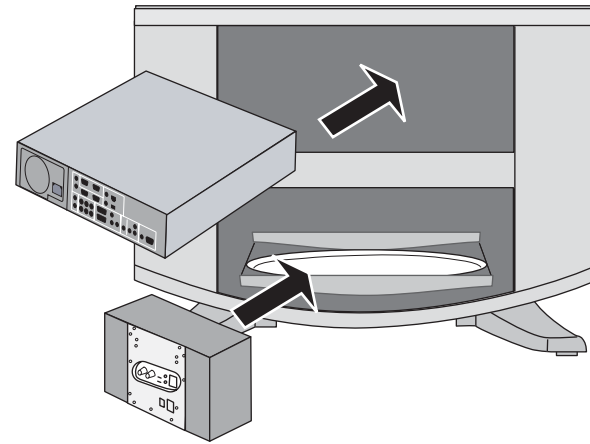
# Setting up the Polycom® Executive Collection Wall System



15

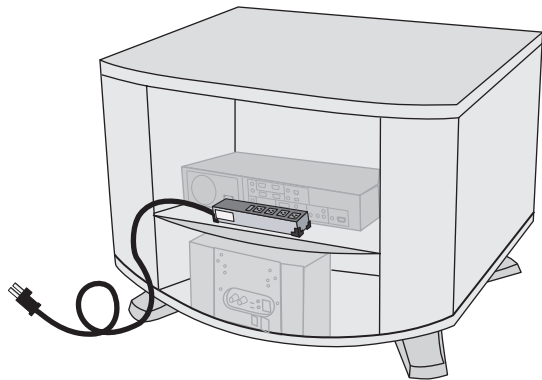


16

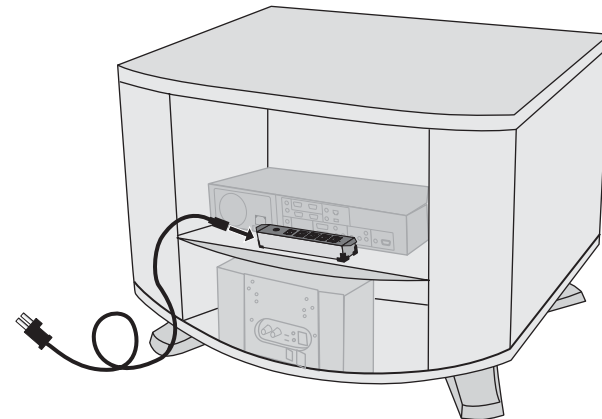


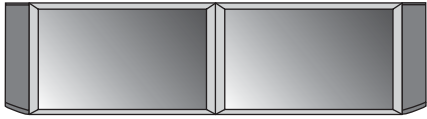
17

North America



Europe

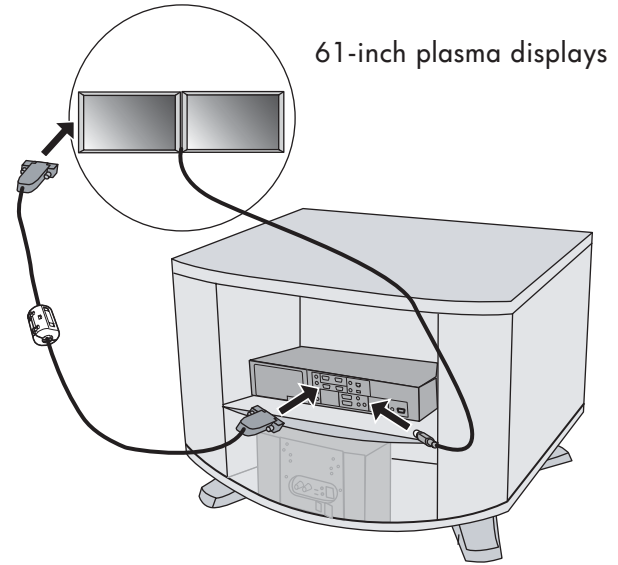
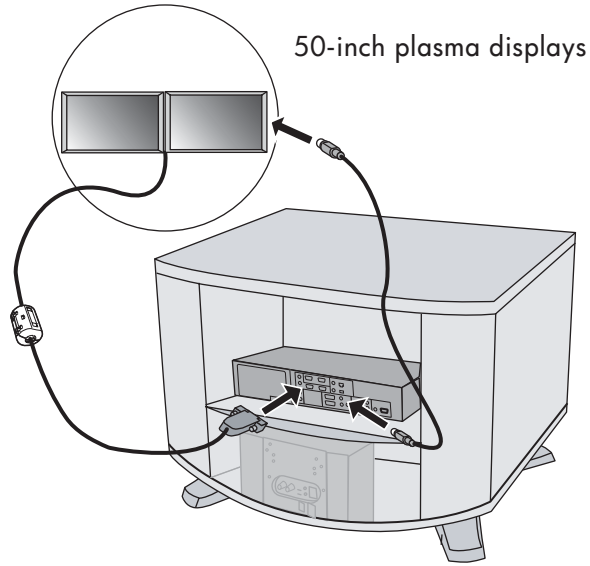




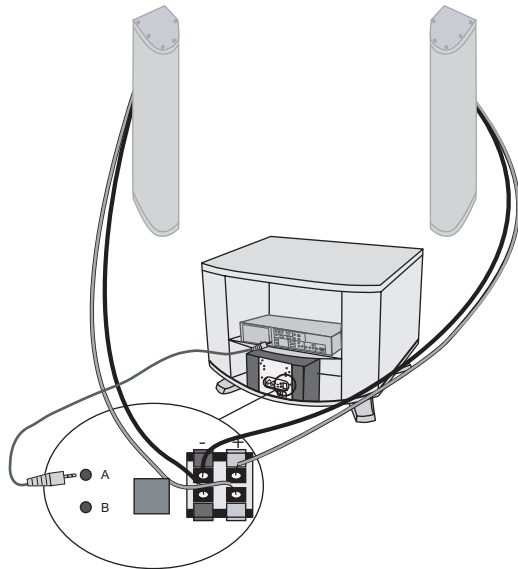
# Setting up the Polycom® Executive Collection Wall System



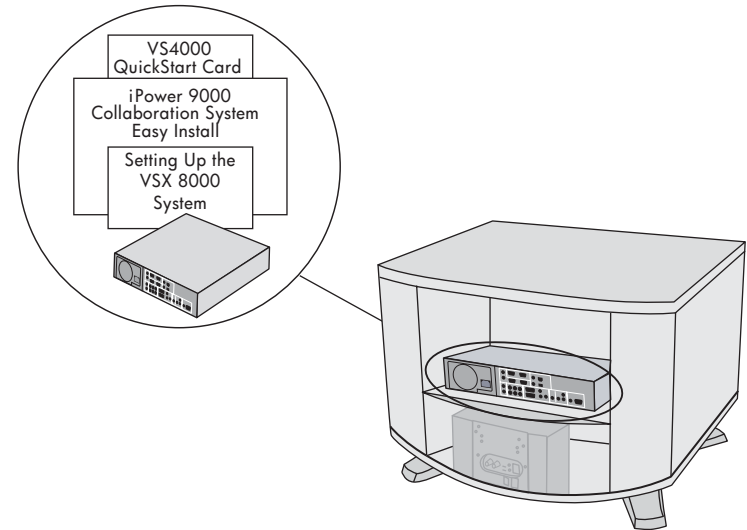
18

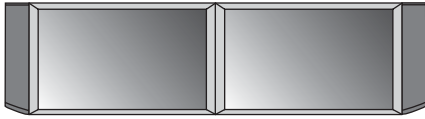


19



20

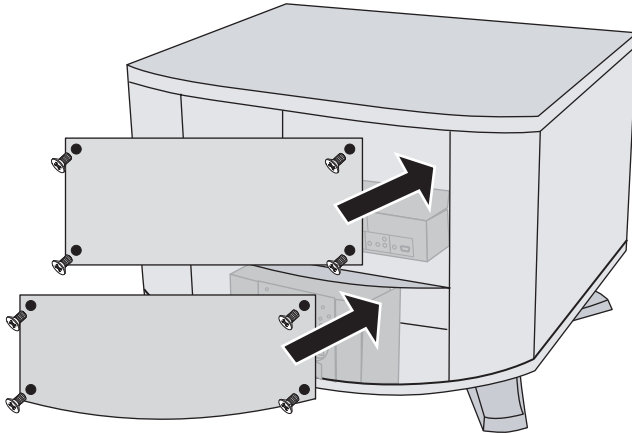




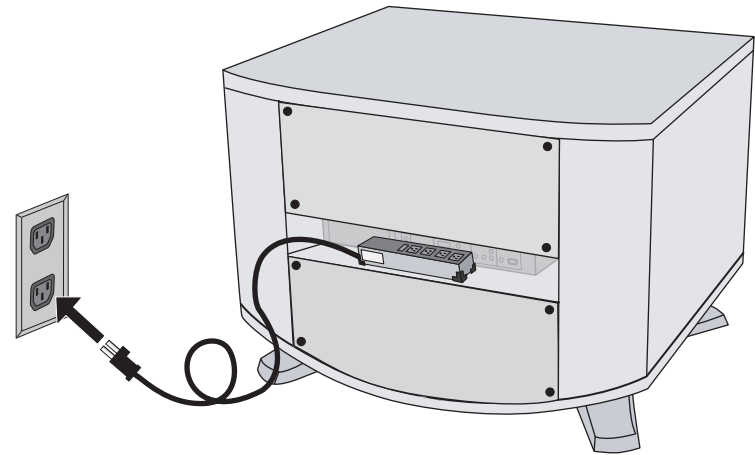
## Setting up the Polycom® Executive Collection Wall System



21



22



23

You may want to organize the cables for your Polycom Executive Collection Wall System using cable management products, which are available from a number of manufacturers. For example, you can find cable management products at:

- [www.connectworld.net/iec](http://www.connectworld.net/iec)
- [www.3m.com/elpd/oem](http://www.3m.com/elpd/oem)
- [www.panduiteeg.com](http://www.panduiteeg.com)
- [www.cableorganizer.com](http://www.cableorganizer.com)

24

